

Heating Hot water Renewables

ecoTEC pro

Combination boiler 24, 28 and 30kW



7
Year
Guarantee

Key features and benefits

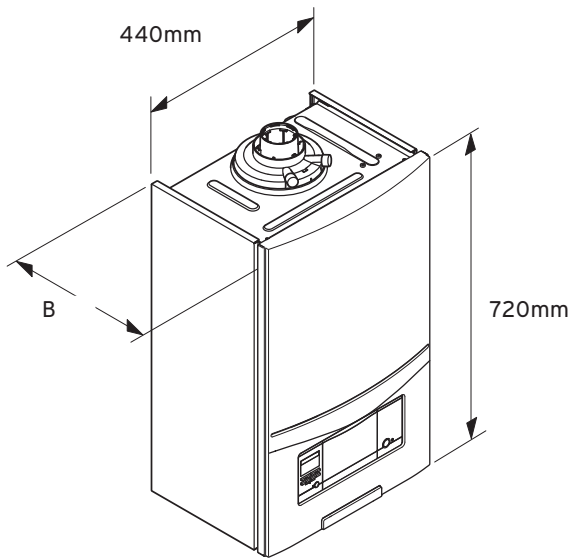
- 7 year guarantee available when registered on Vaillant Advance
- Boiler Plus compliant with Vaillant controls - install with VRT 350 or VRT 50 + timeSWITCH 150 for load compensated system
- Premium quality components including brass diverter valve, ensuring highest reliability and performance
- Wide modulation of up to 1:5 - adapts perfectly to all systems in every situation
- Patented stainless steel main and secondary heat exchanger providing superior heat transfer and highly efficient performance
- Awarded Quiet Mark accreditation - one of quietest boilers in the market, designed for a peaceful home
- Easy installation and maintenance - accessible layout allows all components to be replaced from the boiler front



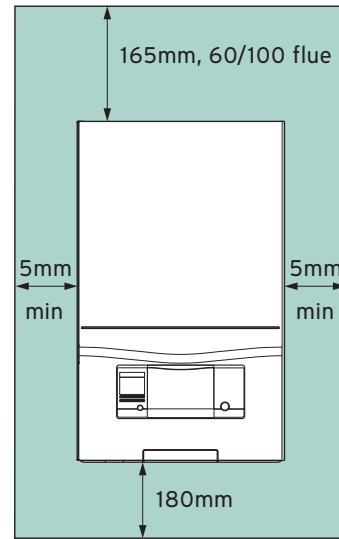
 **Vaillant**

Comfort for your home

Dimensions



Clearances



Model	Dimension B
ecoTEC pro 24, 28, 28 LPG and 30	338

NOTE: all measurements are in mm

Minimum clearances	Unit	ecoTEC pro 24, 28, 28 LPG and 30
Side left and right	mm	5
Top	mm	165
Top (if using rear flue)	mm	-
Below	mm	180
Front	mm	500

Technical data	Unit of measure	ecoTEC pro 24	ecoTEC pro 28	ecoTEC pro 28 LPG	ecoTEC pro 30
General					
Article number		0010021836	0010021837	0010021838	0010016538
Boiler dimensions (HxWxD)	mm	720 x 440 x 338			
Heating					
Nominal heat output range at 50/30°C (Condensing mode)	kW	5.9 - 24.8	6.9 - 25.9	9 - 25.3	6.9 - 25.7
Nominal heat output range at 80/60°C (Non condensing mode)	kW	5.2 - 23	6.2 - 24	8.2 - 24	8 - 24.7
Maximum flow temperature	°C	85			
Flow temperature range	°C	30 - 80			
Flow temperature factory setting	°C	75			
Approximate condensate volume at 50/30°C	litres/hr	1.9			2.5
Domestic Hot Water					
Domestic hot water flow rate (at $\Delta t = 35K$)	l/min	9.6	11.1	11.1	12.3
Domestic hot water flow rate (at $\Delta t = 42K$)*	l/min	8.0	9.3		10.2
Mechanical					
Boiler lift weight (Dry boiler)	kg	38.0			39.0
Maximum horizontal flue length 60/100	m	12			
Performance					
NO _x (En 15502-2-1)	mg/kWh	27		28	30
ErP efficiency (Heating / DHW)	A, A/A, A+	A / A			
ErP efficiency	%	94			93
ErP decibel rating (sound power)	dBa	49			

* Flow restrictor fitted to achieve a $\Delta 42K$ rise

Vaillant Group UK Ltd.
 Nottingham Road, Belper, Derbyshire DE56 1JT
 Telephone 0330 678 0878
www.vaillant.co.uk
info@vaillant.co.uk