



Heating



Hot water



Renewables

# ecoTEC plus

Light commercial system boiler 48 and 64kW



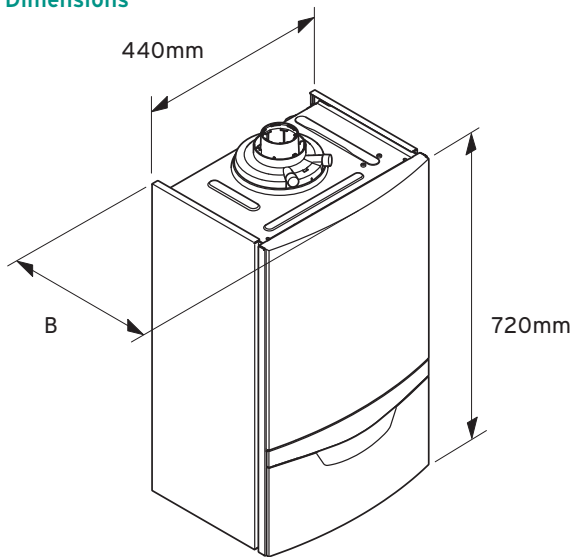
## Key features and benefits

- 5 year out of the box guarantee as standard, for added peace of mind
- High output domestic or light commercial boilers. Outputs of less than 70kW make these boilers suitable for installers with domestic tickets
- Boiler Plus compliant with time and temperature controls - Install with VRT 15, timeSWITCH 160 and VR 66 wiring centre for the easiest way to meet Boiler Plus
- Premium quality components including brass diverter valve, ensuring highest reliability and performance
- Wide modulation of up to 1:6 - adapts perfectly to all systems in every situation
- Patented stainless steel heat exchanger, providing superior heat transfer and highly efficient performance
- Easy installation and maintenance - accessible layout allows all components to be replaced from the boiler front

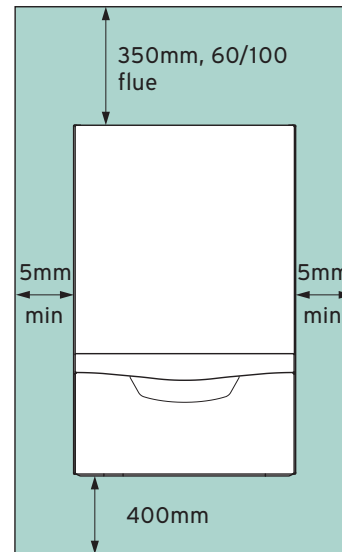


Comfort for your home

## Dimensions



## Clearances



Model	Dimension B
ecoTEC plus 48	405
ecoTEC plus 64	473

Minimum clearances	Unit	ecoTEC plus 48 and 64
Side left and right	mm	5
Top	mm	350
Top (if using rear flue)	mm	-
Below	mm	400
Front	mm	500

NOTE: all measurements are in mm

Technical data	Unit of measure	ecoTEC plus 48	ecoTEC plus 64
<b>General</b>			
Article number		0010021520	0010021521
Boiler dimensions (HxWxD)	mm	720 x 440 x 405	720 x 440 x 473
<b>Heating</b>			
Nominal heat output range at 50/30°C (Condensing mode)	kW	8.7 - 48.0	12.2 - 63.5
Nominal heat output range at 80/60°C (Non condensing mode)	kW	7.8 - 44.1	11.0 - 58.7
Maximum flow temperature	°C	80	
Flow temperature range	°C	30 - 80	
Flow temperature factory setting	°C	75	
Approximate condensate volume at 50/30°C	litres/hr	5.0	6.9
<b>Mechanical</b>			
Boiler lift weight (Dry boiler - includes pump)	kg	38	48
Maximum horizontal flue length 80/125	m	18	15
<b>Performance</b>			
NO <sub>x</sub> (En 15502-2-1)	mg/kWh	30.8	29.1
ErP efficiency (Heating / DHW)	A, A/A, A+	A+	
ErP efficiency	%	94	
ErP decibel rating (sound power)	dBa	43	