

Heating Hot water Renewables

ecoTEC exclusive with Green iQ

System boiler 27kW



10
Year
Guarantee

Key features and benefits

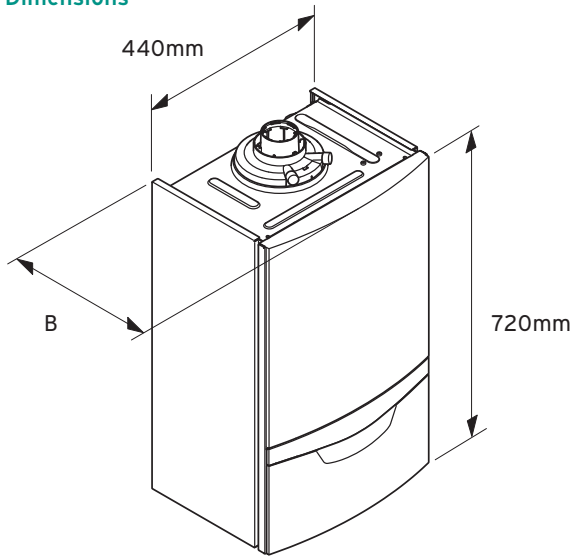
- 10 year guarantee available when registered on Vaillant Advance and installed with our Boiler Protection Kit
- Boiler Plus compliant out of the box and efficiency further enhanced using Vaillant all eBUS controls, including the simple to use Vaillant basic time and temperature controls
- Green iQ mode provides outstanding eco-credentials which optimise running cycles, resulting in even lower gas consumption
- 85% recyclable at the end of its life
- Integral controlled brass diverter valve allowing for separate connections to cylinder and heating system straight from the boiler
- Wide modulation of up to 1:10 - adapts perfectly to all systems in every situation
- Premium quality components ensuring highest reliability and performance



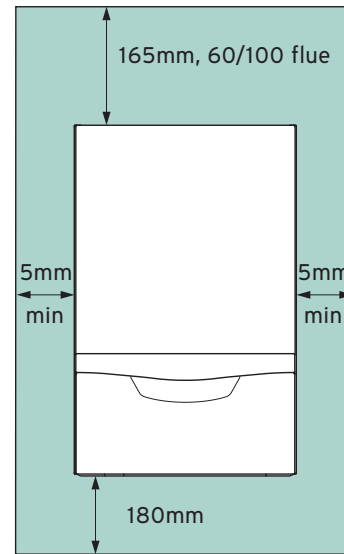
 **Vaillant**

Comfort for your home

Dimensions



Clearances



Model	Dimension B
ecoTEC exclusive 627	338

NOTE: all measurements are in mm

Minimum clearances	Unit	ecoTEC exclusive 627
Side left and right	mm	5
Top	mm	165
Top (if using rear flue)	mm	-
Below	mm	180
Front	mm	500

Technical data	Unit of measure	ecoTEC exclusive 627
General		
Article number		0010017063
Boiler dimensions (HxWxD)	mm	720 x 440 x 338
Heating		
Nominal heat output range at 50/30°C (Condensing mode)	kW	3.4 - 26.7
Nominal heat output range at 80/60°C (Non condensing mode)	kW	3.0 - 24.7
Maximum flow temperature	°C	85
Flow temperature range	°C	30 - 80
Flow temperature factory setting	°C	75
Approximate condensate volume at 50/30°C	litres/hr	2.52
Mechanical		
Boiler lift weight (Dry boiler)	kg	37.5
Maximum horizontal flue length 60/100	m	5.5
Performance		
NO _x (En 15502-2-1)	mg/kWh	30
ErP efficiency (Heating / DHW)	A, A/A, A+	A / -
ErP efficiency	%	94
ErP decibel rating (sound power)	dBa	46