

Heating Hot water Renewables

Why Vaillant? Because specification is where we're right at home

ecoFIT sustain boiler range



 **Vaillant** Comfort for your home

Introducing the new ecoFIT sustain



Vaillant is the leading premium brand for sustainable and responsible system solutions, ensuring your customers experience comfort for their home. Our products have high energy efficiency ratings and low emissions, with an enviable reputation for performance, quality and reliability. This comes from proven German engineering combined with award winning UK manufacturing.

Introducing the boiler that opens more doors: the new ecoFIT sustain

The ecoFIT sustain is so quiet it has been QuietMark approved*. Each model has a small footprint and the top and rear flue options give total flexibility when considering siting.

Maintenance of the ecoFIT sustain couldn't be easier, with easy accessibility inside the unit and availability of all spare parts for 15 years. It's renowned as the engineers choice for any specification.



Visit www.vaillant.co.uk/ecoFITsustain to find out more

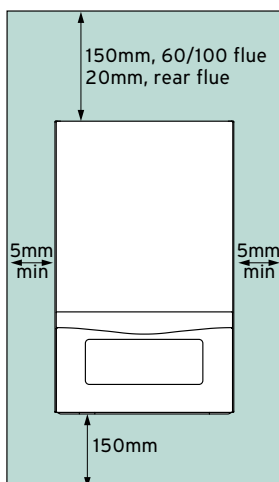
*Combination boilers only

Technical data

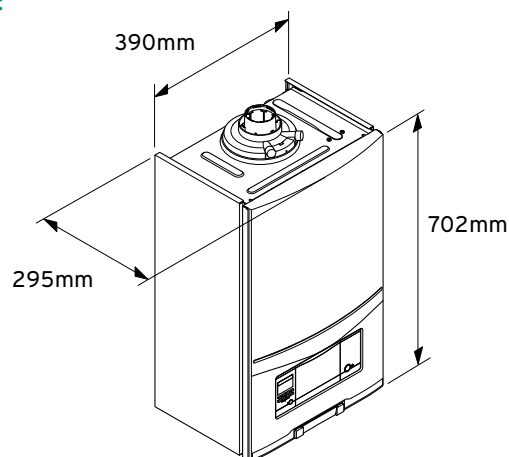
ecoFIT sustain combination boiler 825, 830 and 835



Clearances:

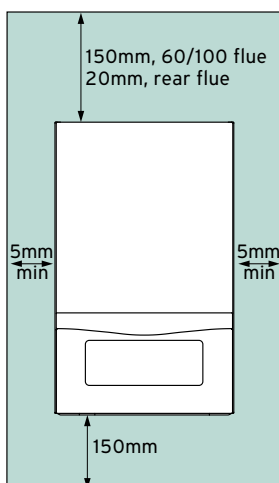


Dimensions:

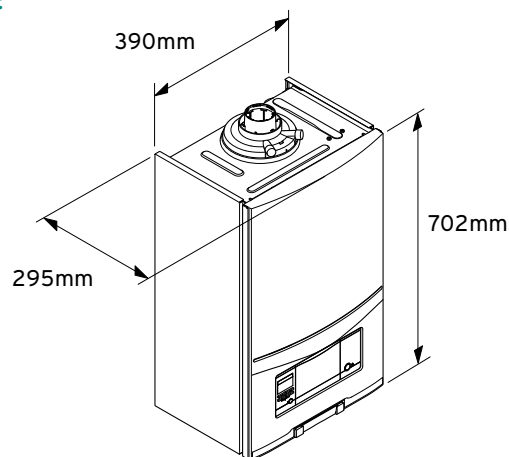


ecoFIT sustain system boiler 615, 618 and 630

Clearances:

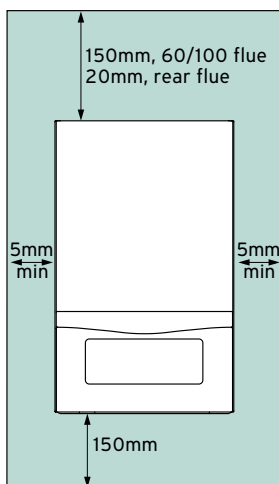


Dimensions:

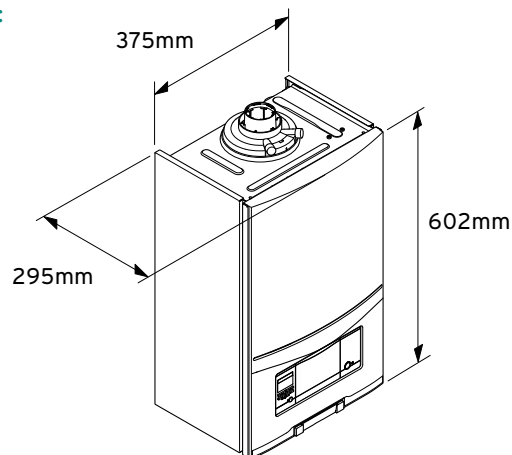


ecoFIT sustain open vent boiler 415, 418 and 430

Clearances:



Dimensions:

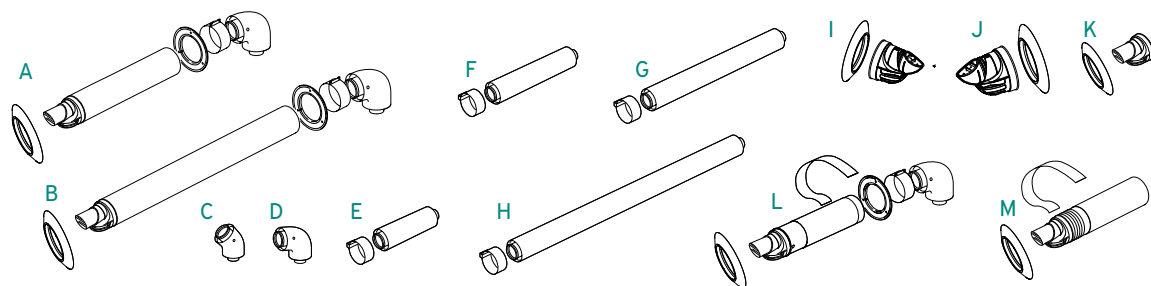


Note: A minimum of 600mm clearance in front of the boiler is required to enable easy access for servicing. This may be provided by an accessible door.

Technical data	25kW combi	30kW combi	35kW combi
Article number	0010020392	0010020393	0010020394
Gas Council Number	47-044-71	47-044-72	47-044-73
PCDB Number	017958	017959	017960
Boiler dimensions (HxWxD)	702 x 390 x 295	702 x 390 x 295	702 x 390 x 295
Flue options	Top / rear	Top / rear	Top / rear
Maximum flue length in metres (60/100) h/v	10 / 10	10 / 10	10 / 10
Maximum flue length in metres (80/125) h/v	25 / 25	25 / 25	25 / 25
Boiler lift weight (kg) - dry boiler	32	33	33
Nominal heat output range at 50/30°C (kW)	5.3 - 19.1	6.5 - 19.1	7.5 - 19.1
Nominal heat output range at 80/60°C (kW)	5.1 - 18.3	6.1 - 18.3	7.2 - 18.3
Maximum flow temperature (°C)	80	80	80
Flow temperature range (°C)	10 - 80	10 - 80	10 - 80
Domestic hot water flow rate l/hr (at ΔT = 35K)	10.4	12.2	14.1
Flow temperature factory setting (°C)	75	75	75
PCDB seasonal efficiency (SAP 2012) (%)	89.3	89.3	89.3
ErP efficiency (%)	93	93	93
ErP rating (heating/hot water)	A / A	A / A	A / A
Sound power/ErP decibel rating dB(A)	49	44	45
NOx mg/kWh (En 15502-2-1)	38.9	38.3	37.2
Technical data	15kW system	18kW system	30kW system
Article number	0010025271	0010025272	0010025273
Gas Council Number	41-694-30	41-694-31	41-694-32
PCDB Number	18403	18404	18405
Boiler dimensions (HxWxD)	702 x 390 x 295	702 x 390 x 295	702 x 390 x 295
Flue options	Top / rear	Top / rear	Top / rear
Maximum flue length in metres (60/100) h/v	10 / 10	10 / 10	10 / 10
Maximum flue length in metres (80/125) h/v	25 / 25	25 / 25	25 / 25
Boiler lift weight (kg) - dry boiler	31	31	32
Nominal heat output range at 50/30°C (kW)	4.7 - 15.9	5.2 - 19.1	7.5 - 31.8
Nominal heat output range at 80/60°C (kW)	4.5 - 15.2	5.0 - 18.3	7.2 - 30.5
Maximum flow temperature (°C)	80	80	80
Flow temperature range (°C)	10 - 80	10 - 80	10 - 80
Flow temperature factory setting (°C)	75	75	75
PCDB seasonal efficiency (SAP 2012) (%)	89.8	89.7	89.8
ErP efficiency (%)	94	94	94
ErP rating (heating)	A	A	A
Sound power/ErP decibel rating dB(A)	48	49	54
NOx mg/kWh (En 15502-2-1)	33	39	40
Technical data	15kW open vent	18kW open vent	30kW open vent
Article number	0010025274	0010025275	0010025276
Gas Council Number	41-694-33	41-694-34	41-694-35
PCDB Number	18400	18401	18402
Boiler dimensions (HxWxD)	602 x 375 x 295	602 x 375 x 295	602 x 375 x 295
Flue options	Top / rear	Top / rear	Top / rear
Maximum flue length in metres (60/100) h/v	10 / 10	10 / 10	10 / 10
Maximum flue length in metres (80/125) h/v	25 / 25	25 / 25	25 / 25
Boiler lift weight (kg) - dry boiler	22	22	22
Nominal heat output range at 50/30°C (kW)	4.7 - 15.9	5.2 - 19.1	7.4 - 31.8
Nominal heat output range at 80/60°C (kW)	4.5 - 15.2	5.0 - 18.3	7.1 - 30.5
Maximum flow temperature (°C)	80	80	80
Flow temperature range (°C)	10 - 80	10 - 80	10 - 80
Flow temperature factory setting (°C)	75	75	75
PCDB seasonal efficiency (SAP 2012) (%)	89.8	89.7	89.8
ErP efficiency (%)	94	94	94
ErP rating (heating)	A	A	A
Sound power/ErP decibel rating dB(A)	48	51	55
NOx mg/kWh (En 15502-2-1)	33	39	40

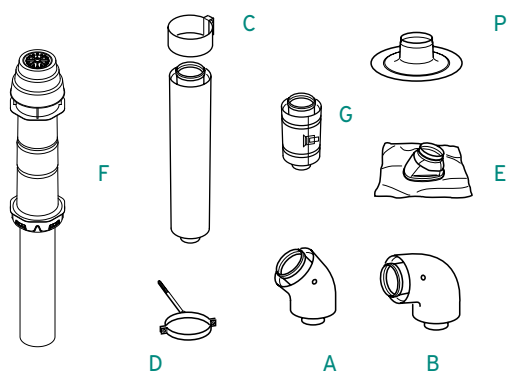
Flue accessories

Horizontal flue accessories

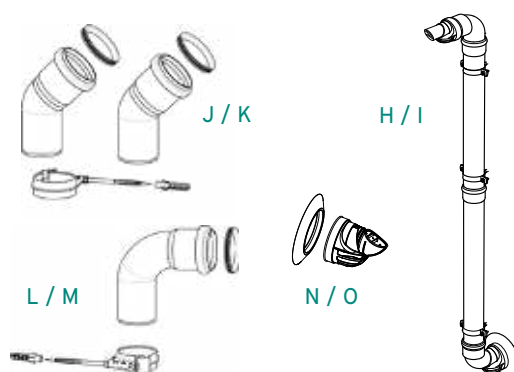


Component	Description	Part Number	
		60/100 DN	80/125 DN
A	Standard horizontal air/flue duct with elbow and terminal	0020219517	303209
B	Horizontal air/flue duct with elbow and terminal 1770mm	0020219519	-
C	Bends 45° (pack of 2)	303911	303211
D	Elbow 87°	303910	303210
E	Air/flue duct extension (470mm)	303902	303202
F	Air/flue duct extension (970mm)	303903	303203
G	Air/flue duct extension (1970mm)	303905	303205
H	Air/flue duct extension (4000mm)	0020138174	-
I	Plume deflector horizontal (black)	0020219533	-
J	Plume deflector horizontal (white)	0020219534	-
K	Black terminal kit for horizontal air/flue duct	0020219537	-
L	Horizontal telescopic air/flue duct with elbow and terminal	0020219518	-
M	Rear flue (black)	0020228140	-

Vertical flue accessories



Variable termination kits



Component	Description	Part Number	
		60/100 DN	80/125 DN
A	Bends 45° (2 off)	303911	303211
B	Elbow 87°	303910	303210
C	Extension 1.0m	303903	303203
D	Fixing clamp (5 off)	303821	303616
E	Pitched roof tile flexible (black)	303980	303980
F	Roof terminal (black)	0020223472	0020030797
G	Sliding sleeve	303915	303215
H	Variable termination kit (black)	0020219529	-
I	Variable termination kit (white)	0020219530	-
J	VTK elbow 45 deg (2 off) - (black)	0020219551	-
K	VTK elbow 45 deg (2 off) - (white)	0020219552	-
L	VTK elbow 87 deg (black)	0020219543	-
M	VTK elbow 87 deg (white)	0020219544	-
N	Plume deflector horizontal (black)	0020219533	-
O	Plume deflector horizontal (white)	0020219534	-
P	Flat roof weather collar	009056	009056

The new ecoFIT sustain benefits at a glance

- **Top and rear flue options on all boiler models**
Allows flexible siting options and installation in various property types
- **Wide product range**
With a wide range of outputs, there is a type to suit most specifications
- **Compact, cupboard fit solution**
A small boiler footprint means the ecoFIT sustain offers siting flexibility, including cupboard fit
- **LCD backlit display**
Offers visibility in dimly lit areas for easier installation, use and maintenance
- **Easy installation and maintenance**
Accessible layout that allows all components to be replaced from the boiler front. Additional space is possible with removable side panels
- **Recognisable Vaillant fault codes**
Easy to diagnose faults



- **High-specification automotive grade aluminium heat exchanger**
Boilers will last longer, be easier to maintain and can even reduce energy bills
- **High-quality components**
For peace of mind for the lifetime of the product
- **Choice of flue lengths**
All ecoFIT sustain models can be fitted with a 10 metre flue length (for 60/100mm diameter) or a 25 metre length (for 80/125mm diameter)
- **4-sided cooling and water circulation of the heat exchanger**
Reduces the stress on the heat exchanger to improve the reliability of the boiler resulting in a longer life and reduced maintenance costs
- **Compatible with Vaillant's intelligent range of controls**
For the most convenient and energy efficient system, saving on energy bills

Take control

ecoFIT sustain boilers are compatible with Vaillant's complete range of intelligent controls. From the simplicity of our analogue heating controls to connected smart controls, you're sure to find a control that's a smart choice for every installation.



timesWITCH 150

Easy to use analogue, plug-in heating control

Article number: 0020116882



VRT 50

Intelligent digital room thermostat shows the current room temperature

Article number: 0020018265



VRT 350

Enhanced load compensating programmable room thermostat

Article numbers:
0020124475 (wired)
0020124482 (wireless)



VRC 700

Wireless programmable room thermostat

Pack codes:
0020236292 (wired)
0020259830 (wireless)
Further pack codes available, visit www.vaillant.co.uk/ecoFITsustain

There's smart, then there's vSMART™

A vSMART™ control provides wireless heating and hot water control on a smartphone app

For more information on Vaillant's range of intelligent controls, please visit: www.vaillant.co.uk



Article number: 0020223154
vSMART Combi Pack

Article number: 0020223158
vSMART System/Open Vent Pack

Sales Support

Vaillant products are available to purchase from reputable heating merchants in the UK. To find contact details for your nearest Vaillant representative:

Telephone: 0345 602 0262

Technical Enquiries

For technical assistance:

Telephone: 0344 693 3133

Email: aftersales@vaillant.co.uk

General Enquiries

If you have a general enquiry our friendly reception staff will happily point you in the right direction:

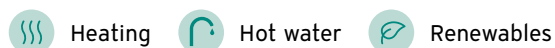
Telephone: 0345 602 2922

Training Enquiries

Vaillant provides many different training courses. For more information:

Telephone: 0345 601 8885

Email: training.enquiriesuk@vaillant-group.com



Vaillant Group UK Ltd.

Nottingham Road, Belper, Derbyshire DE56 1JT

Telephone 0345 602 2922

www.vaillant.co.uk/specifiers

info@vaillant.co.uk



Vaillant is working in partnership with National Energy Action to reduce fuel poverty