

THE ENERGY & COMPACT RANGES

Helping you Keep Britain Glowing



Glow•worm

Keeping Britain Glowing

KEEPING BRITAIN GLOWING

We've been keeping people cosy for over 85 years

Our products are made for homes that are there to be lived in, not looked at. Whether it's the hot shower after football training or toasty socks straight off the radiator, we provide that warm glow that keeps everyone going. You'll love our products too – they're easy to fit, reliable and backed by exceptional support, with more perks than you can shake a spanner at.



Rated **Excellent** on ★ **Trustpilot**

Who we are

Glow-worm is a cornerstone of the UK heating industry, nestled in the heart of Derbyshire. Since 1934, our focus has been on building robust, high-efficiency boilers, controls, and accessories that provide the families of Britain with the warmth and hot water they need, when they need it.

In 2001, we were acquired by the Vaillant Group, one of Europe's largest heating appliance manufacturers. Its investment has enabled us to expand our product offering and develop innovative new technologies – while keeping our roots at our state-of-the-art factory in Belper.

As part of Vaillant Group, Glow-worm is proud to have achieved both Investors in People Gold and Health and Wellbeing awards.



INVESTORS
IN PEOPLE

Gold
Until 2022



Investors
in People

Health &
Wellbeing
Award

Take your pick:

Our Energy and Compact ranges offer you everything you need to keep Britain glowing. The Energy comes with an attractive modern design, easy-to-use interfaces and a great choice of models and controls. It's lightweight, compact and quiet too. The Compact is our smallest and lightest range yet, making it faster than ever to fit. It delivers great output and is easy to maintain thanks to its high-quality build.

Energy range benefits:

- Ultra-reliable performance and a guarantee of up to 10 years provide dependability customers crave
- Wide product range means there's an Energy for virtually any installation
- Bespoke LPG models available
- Modulating Grundfos pump delivers lower running costs
- Automotive-grade aluminium heat exchanger lasts longer and reduces bills
- Quiet Mark approval keeps homeowners happy

Compact range benefits:

- Robust stainless steel heat exchanger offers reliability for you and your customers
- Condensate trap is easily removed for hassle-free maintenance and cleaning
- High efficiency pump combines performance with low electricity costs
- Available in easy-to-order horizontal and vertical flue packs
- Compatible with the full range of Glow-worm flues, controls and accessories



Energy₇ combi boiler

Our Energy combi range combines an attractive modern design with exceptional performance.

Lightweight and with a choice of top or rear flues, it's a dream to fit. The automotive-grade aluminium heat exchanger has large waterways that make it ideal for retrofit jobs. Patented four-sided cooling reduces the strain on the heat exchanger to improve efficiency.

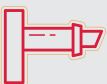
Homeowners will love the extra reassurance of a guarantee of up to 10-years.



FREE 10-year guarantee*



Earn cashback when installs are registered through Club Energy



Direct rear flue also possible



Manufactured in our award-winning factory in Derbyshire



Compatible with our Power System Filter



Ultra-quiet operation

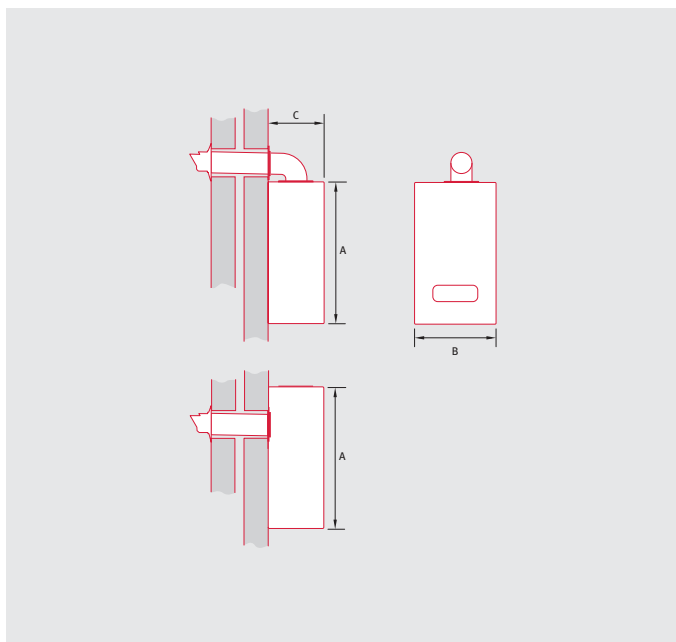
Features and benefits

- Quiet Mark approval means ultra-quiet operation for homeowners
- Superior-quality parts last longer, are easier to maintain, and help reduce energy bills
- Small footprint can be installed in more locations, including kitchen cupboards
- Modern LCD display offers excellent clarity, even in dimly lit rooms
- Top and rear flue options give you flexibility when fitting
- Works with Glow-worm's entire range of intelligent controls

*When installed with a Glow-worm Power System Filter and registered through Club Energy.

Energy₇ combi technical specification

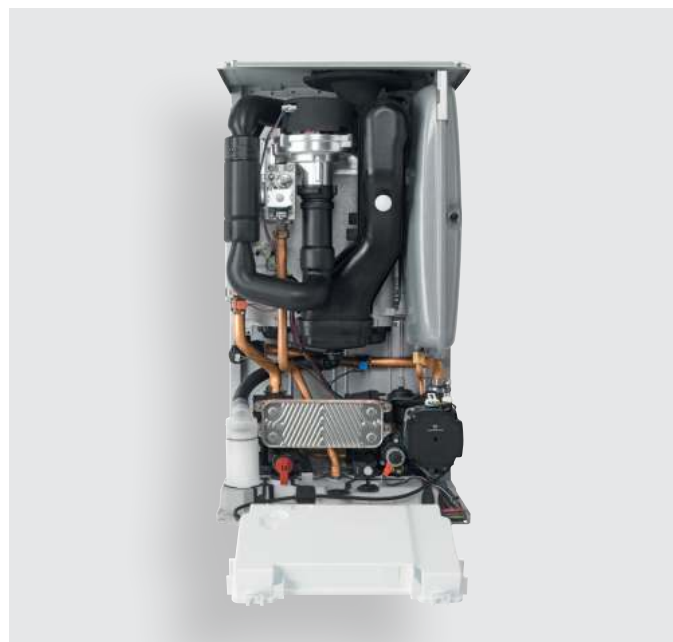
Energy₇ combi dimensions



Boiler dimensions

Height (A)	Width (B)	Depth (C)
702mm	390mm	280mm

Energy₇ combi clearances



Boiler clearances

Top	Side	Bottom	Front
150mm*	5mm	150mm	600mm

*Reduced to 20mm if using a rear flue

Energy ₇ combi boilers	Unit of measure	25c	30c	35c
General				
Boiler type		Combi	Combi	Combi
Model output	kW	25	30	35
Article number		0010035896	0010035897	0010035898
Gas Council number		47-019-60	47-019-61	47-019-62
Lift weight	kg	32	33	33
Performance				
NOx (En 15502-2-1)	mg/kWh	39	39	39
ErP efficiency	%	94	94	94
ErP decibel rating (sound power)	dBa	49	51	52
ErP efficiency (heating/DHW)	A+++ to D / A+ to F	A/A	A/A	A/A
PCDB annual efficiency (SAP 2009/2012)	%	89.6	89.7	89.7
Heating and hot water				
Hot water flow rate	L/min	10.4	12.2	14.1
Flueing options				
Max flue length - horizontal/vertical	M	10/10	10/10	10/10
Rear flue	Yes/No	Yes	Yes	Yes

Energy₇ system boiler

Our Energy system boiler range is great for homes with high hot water demands and can be installed with a range of cylinders for hot water storage.

Light and compact, yet perfectly formed, it's a breeze to fit, especially with its choice of top or rear flues. Servicing is easy too, with simple water flush cleaning that doesn't need any special tools or chemicals.

The combination of automotive-grade materials and patented four-sided cooling means the heat exchanger lasts longer and gives homeowners the efficiency they expect from their boiler.

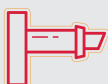
Plus, the nationwide availability of parts means they're easier to fix than an Italian football match.



FREE 10-year guarantee*



Earn cashback when installs are registered through Club Energy



Direct rear flue also possible



Manufactured in our award-winning factory in Derbyshire



Compatible with our Power System Filter



Ultra-quiet operation

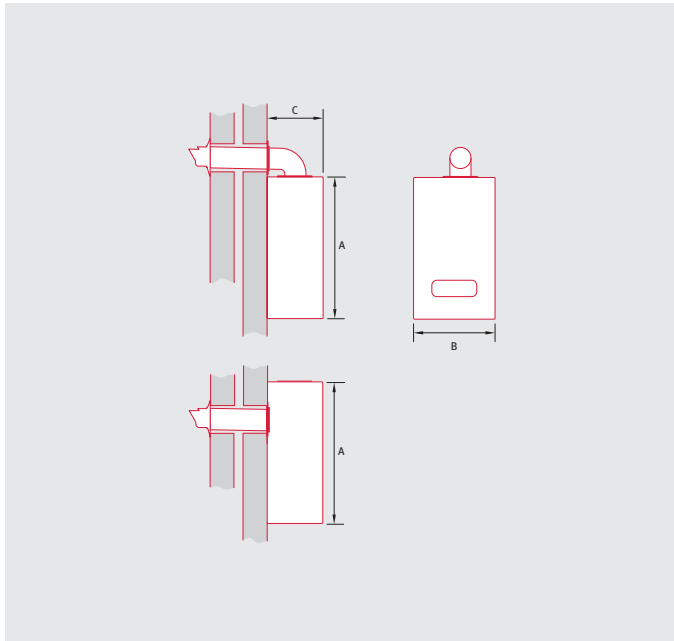
Features and benefits

- Quiet Mark approval means ultra-quiet operation for homeowners
- Superior-quality parts last longer, are easier to maintain, and help reduce energy bills
- Small footprint can be installed in more locations, including kitchen cupboards
- Modern LCD display offers excellent clarity, even in dimly lit rooms
- Top and rear flue options give you flexibility when fitting
- Works with Glow-worm's entire range of intelligent controls

*When installed with a Glow-worm Power System Filter and registered through Club Energy.

Energy₇ system technical specification

Energy₇ system dimensions



Boiler dimensions

Height (A)	Width (B)	Depth (C)
702mm	390mm	280mm

Energy₇ system clearances



Boiler clearances

Top	Side	Bottom	Front
150mm*	5mm	150mm	600mm

*Reduced to 20mm if using a rear flue

Energy ₇ system boilers	Unit of measure	12s	15s	18s	25s	30s
General						
Boiler type		System	System	System	System	System
Model output	kW	12	15	18	25	30
Article number		0010035899	0010035900	0010035901	0010035902	0010035903
Gas Council number		41-019-53	41-019-54	41-019-55	41-019-56	41-019-57
Lift weight	kg	31	31	31	32	32
Performance						
NOx (En 15502-2-1)	mg/kWh	33	32	39	39	40
ErP efficiency	%	94	94	94	94	94
ErP decibel rating (sound power)	dBa	45	48	49	51	54
ErP efficiency (heating/DHW)	A+++ to D / A+ to F	A/-	A/-	A/-	A/-	A/-
PCDB annual efficiency (SAP 2009/2012)	%	89.8	89.8	89.7	89.8	89.8
Flueing options						
Max flue length - horizontal/vertical	M	10/10	10/10	10/10	10/10	10/10
Rear flue	Yes/No	Yes	Yes	Yes	Yes	Yes

Energy₇ regular boiler

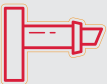
Our Energy regular boiler, also known as an open vent boiler, can be paired with a wide range of controls to create the perfect heating system for homeowners. It's especially useful for those shower junkies and radiator hogs with high hot water demands and can be installed with a range of cylinders for hot water storage. Despite its heavyweight performance, the Energy regular is lightweight, compact and easy to install. The choice of top or rear flue offers flexibility, particularly when it comes to retrofitting. We use patented four-sided cooling to reduce stress on the high-quality heat exchanger, delivering efficiency homeowners can really get behind.



FREE 10-year guarantee*



Earn cashback when installs are registered through Club Energy



Direct rear flue also possible



Manufactured in our award-winning factory in Derbyshire



Compatible with our Power System Filter

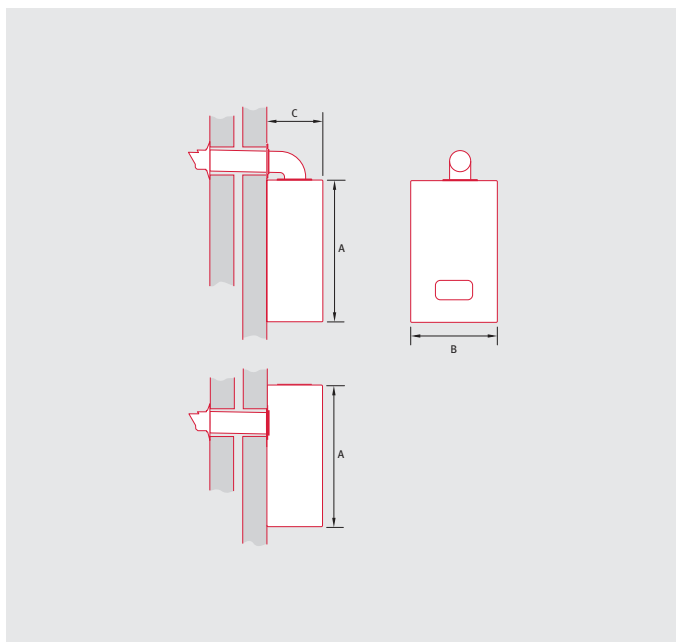
Features and benefits

- Superior-quality, automotive-grade heat exchanger lasts longer, is easier to maintain, and helps reduce energy bills
- Easy heat exchanger cleaning – simply flush with water
- Small footprint can be installed in more locations, including kitchen cupboards
- Modern LCD display offers excellent clarity, even in dimly lit rooms
- Top and rear flue options give you flexibility when fitting
- Works with Glow-worm's entire range of intelligent controls

*When installed with a Glow-worm Power System Filter and registered through Club Energy.

Energy₇ regular technical specification

Energy₇ regular dimensions



Boiler dimensions

Height (A)	Width (B)	Depth (C)
602mm	375mm	280mm

Energy₇ regular clearances



Boiler clearances

Top	Side	Bottom	Front
150mm*	5mm	150mm	600mm

*Reduced to 75mm if using a rear flue

Energy ₇ regular boilers	Unit of measure	12r	15r	18r	25r	30r
General						
Boiler type		Regular	Regular	Regular	Regular	Regular
Model output	kW	12	15	18	25	30
Article number		0010035904	0010035905	0010035906	0010035907	0010035908
Gas Council number		41-019-58	41-019-59	41-019-60	41-019-61	41-019-62
Lift weight	kg	22	22	22	22	22
Performance						
NOx (En 15502-2-1)	mg/kWh	33	32	39	39	39
ErP efficiency	%	94	94	94	94	94
ErP decibel rating (sound power)	dBa	45	48	49	52	55
ErP efficiency (heating/DHW)	A+++ to D / A+ to F	A/-	A/-	A/-	A/-	A/-
PCDB annual efficiency (SAP 2009/2012)	%	89.8	89.8	89.7	89.8	89.8
Flueing options						
Max flue length - horizontal/vertical	M	10/10	10/10	10/10	10/10	10/10
Rear flue	Yes/No	Yes	Yes	Yes	Yes	Yes

Energy 35 Store boiler

The Energy 35 Store boiler offers the best of both worlds, combining the benefits of system and combi boilers into one fully integrated package. Its ability to provide instant, unlimited domestic hot water makes it perfect for big homes with high demand. Two 21 litre insulated tanks housed inside the unit provide a lightning-quick re-heat time of under five minutes and with its stainless steel heat exchanger, it also ensures a durable long-lasting performance. And because there's no need to put in a hot water cylinder, complexity, space, installation time and costs are all reduced.



FREE 10-year guarantee*



Earn cashback when installs are registered through Club Energy



Manufactured in our award-winning factory in Derbyshire



Compatible with our Power System Filter

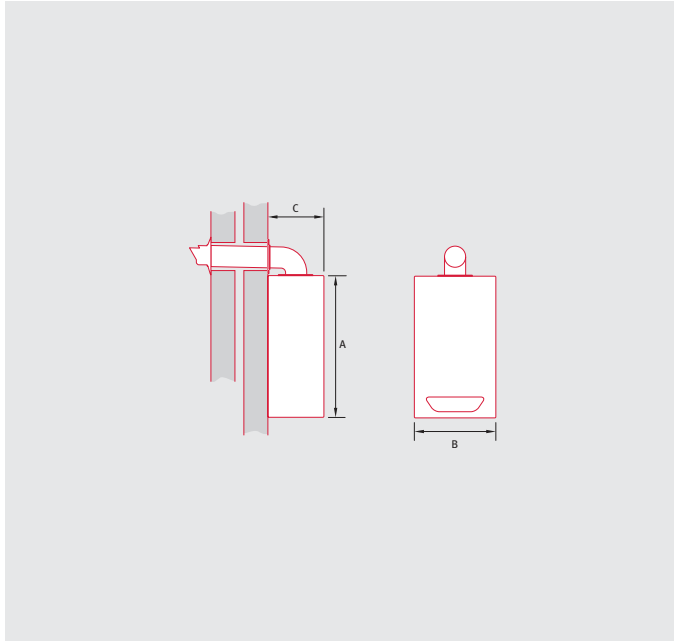
*When installed with a Glow-worm Power System Filter and registered through Club Energy.

Features and benefits

- High-performance heating and instant hot water keep homeowners happy
- High-efficiency combi store technology delivers regeneration times of under five minutes
- High flow rate fills baths and sinks quickly so homeowners aren't left waiting around
- Modulating Grundfos pump adapts to demand to improve efficiency
- LPG compatibility provides more siting options for off-grid properties
- Lower installation cost and less space needed than system boilers with independent cylinders (no cylinder cupboard required)
- Works with Glow-worm's entire range of intelligent controls

Energy 35 Store technical specification

Energy 35 Store dimensions



Boiler dimensions

Height (A)	Width (B)	Depth (C)
892mm	470mm	570mm

Energy 35 Store clearances



Boiler clearances

Top	Side	Bottom	Front
300mm	50 (l) 150 (R)	300mm	600mm

Energy 35 Store boiler	Unit of measure	35 store
General		
Boiler type		Combi store
Model output	kW	35
Article number		0010017338
Gas Council number		47-019-37
Lift weight	kg	67
Performance		
NOx (En 15502-2-1)	mg/kWh	40
ErP decibel rating (sound power)	dBa	51
ErP efficiency (heating/DHW)	A+++ to D / A+ to F	A/A
PCDB annual efficiency (SAP 2009/2012)	%	89.4
Hot water flow rate	L/min	19.7
Heating and hot water		
Hot water flow rate	L/min	19.7
Flueing options		
Rear flue	Yes/No	No

Energy LPG boiler

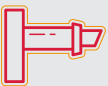
Quiet, compact and discreet, our highly efficient Energy LPG 30kW combi boiler comes with a 10-year guarantee* for long-lasting cosiness. Easy to install, maintain and service, it reduces running costs and offers ultra-quiet operation to increase comfort for homeowners. Its compact size makes it the perfect solution for replacing boilers in park homes.



FREE 10-year guarantee*



Earn cashback when installs are registered through Club Energy



Direct rear flue



Manufactured in our award-winning factory in Derbyshire



Ultra-quiet operation



Compatible with our Power System Filter

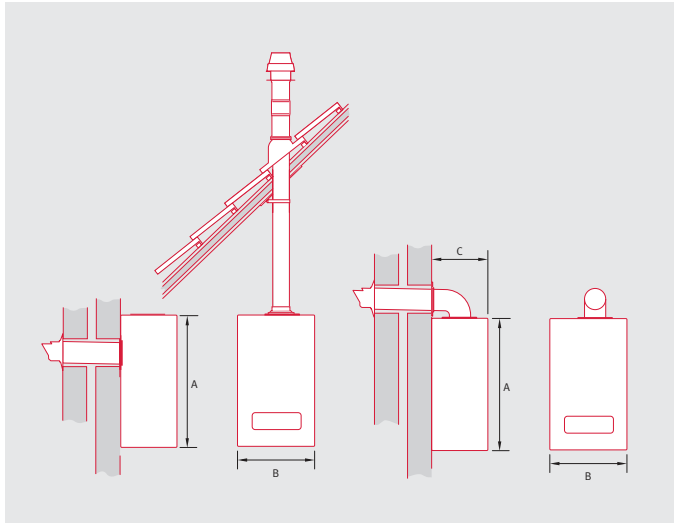
Features and benefits

- Supplied with top, rear and vertical flue options for easy installation
- Quiet Mark approval keeps things peaceful for homeowners
- High-grade aluminium heat exchanger lasts longer, is easy to maintain and lowers energy bills
- Small footprint fits comfortably anywhere, even in kitchen cupboards
- Dedicated LPG model doesn't require any adjustments, allowing quicker and easier installation
- Modulating Grundfos pump adapts to demand to improve efficiency
- Works with Glow-worm's entire range of intelligent controls

*When installed with a Glow-worm Power System filter and registered through Club Energy.

Energy LPG technical specification

Energy LPG combi dimensions



Boiler dimensions

Height (A)	Width (B)	Depth (C)
702mm	390mm	280mm

Energy LPG combi clearances



Boiler clearances

Top	Side	Bottom	Front
150mm*	5mm	150mm	600mm

* Reduced to 20mm if using a rear flue

Energy LPG combi boiler	Unit of measure	30c
General		
Boiler type		Combi
Model output	kW	30kW
Article number (rear flue pack)		00 10030436
Article number (verticle flue pack)		00 10031996
Article number (top flue pack)		00 10028635
Gas Council number		47-019-38
Lift Weight	kg	33
Performance		
NOx (En 15502-2-1)	mg/kWh	35
ErP efficiency heating/DHW	A+++ to D / A+ to F	A/A
ErP decibel rating (sound power)	dBa	51
PCDB seasonal efficiency	%	91
Heating and hot water		
Rear flue	Yes/No	Yes
Hot water flow rate	L/min	12.4
Flueing options		
Maximum horizontal rear flue length 60/100	M	0.7
Maximum horizontal flue length 60/100	M	0.7
Maximum vertical flue length 60/100	M	1.4

Compact combi boiler

They say great things come in small packages, and that's exactly what you get with the Compact combi boiler. It's the most compact and lightweight boiler we've ever produced, but don't let its stature fool you – this boiler delivers big performance. It's sturdy and reliable, delivering the reliability your customers love. It's also a dream to install, saving you time, hassle and bruised knuckles. With a stainless steel heat exchanger, it also ensures a durable long-lasting performance.



FREE out-of-box 5-year guarantee



Earn 30 credits to spend on Exclusive Glow Worm merchandise when registered on Club Energy.



Stainless steel heat exchanger



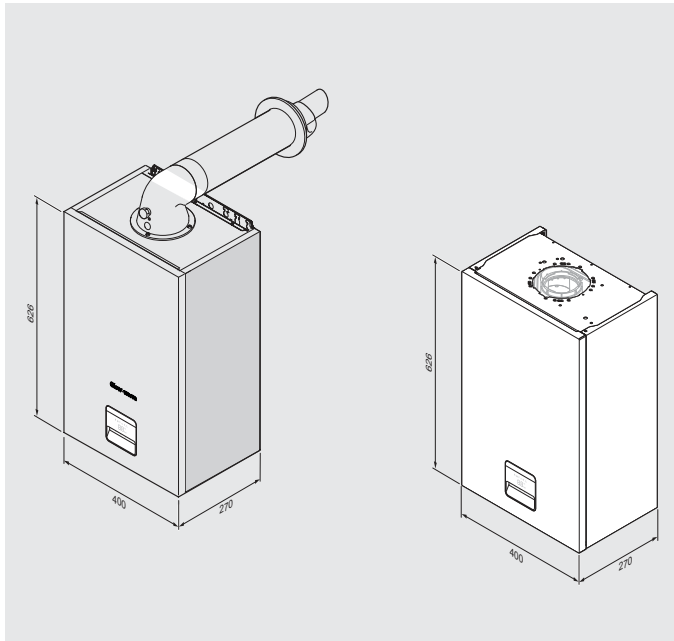
Compatible with our Power System Filter

Features and benefits

- Small footprint allows for flexible, fast installation
- User-friendly display for quick and easy commissioning
- 25mm spacer frame enables piping behind the boiler while still fitting in standard 300mm cupboard
- Optional analogue clock can be fitted hassle free, without removing the boiler case
- Optional pipe accessory for the central heating return to bring the connections in line with traditional domestic boiler layouts

Compact combi technical specification

Compact combi dimensions



Boiler dimensions

Height (A)	Width (B)	Depth (C)
626mm	400mm	270mm

Compact combi clearances



Boiler clearances

Top	Side	Bottom	Front
150mm	5mm	180mm	500mm

Compact combi boilers	Unit of measure	Compact	Compact
Boiler type		Combi	Combi
Model output	kW	24	28
Article number (horizontal flue & filter)		0010043988	0010043989
Article number (vertical & filter)		0010043992	0010043993
Gas Council number		47-019-63	47-019-64
Lift weight	kg	25,6	26,5
Performance			
NOx (En 15502-2-1)	mg/kWh	27	32
ErP efficiency	%	92	93
ErP decibel rating (sound power)	dBa	52	54
ErP efficiency (heating/DHW)	A+++ to D / A+ to F	A/A	A/A
Heating and hot water			
Hot water flow rate	L/min	9.9	11.5

Compact LPG boiler

The Compact LPG boiler does what it says on the box: it's our smallest and lightest boiler yet. But it packs great performance into its small proportions. Its robust build means its dependable and long-lasting, with a high-efficiency pump to keep costs low for your customers. With flexible flue spacing and hassle-free maintenance, it's easy for you to install and maintain too.



FREE out-of-box 5-year guarantee



Earn 30 credits to spend on Exclusive Glow Worm merchandise when registered on Club Energy.



Stainless steel heat exchanger



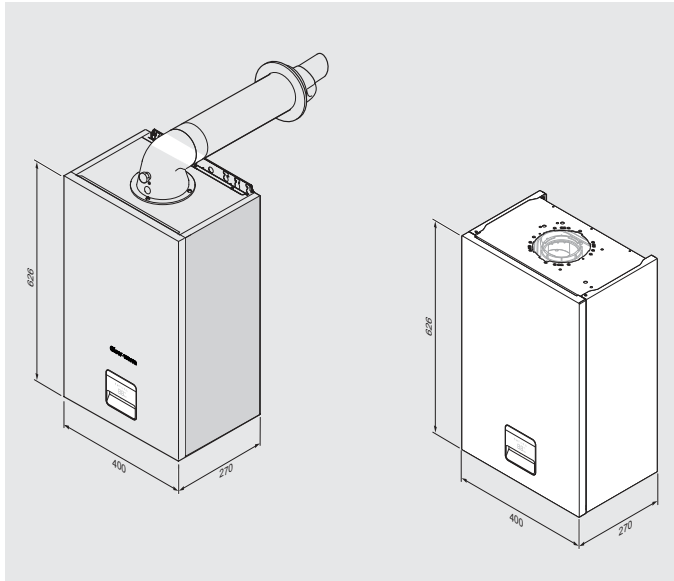
Compatible with our Power System Filter

Features and benefits

- Small footprint allows for flexible, fast installation
- User-friendly display for quick and easy commissioning
- 25mm spacer frame enables piping behind the boiler while still fitting in standard 300mm cupboard
- Optional analogue clock can be fitted hassle free, without removing the boiler case
- Optional pipe accessory for the central heating return to bring the connections in line with traditional domestic boiler layouts

Compact LPG technical specification

Compact LPG dimensions



Compact LPG clearances



* Reduced to 20mm if using a rear flue

Boiler dimensions		
Height (A)	Width (B)	Depth (C)
626mm	400mm	270mm

Boiler clearances			
Top	Side	Bottom	Front
150mm*	5mm	180mm	500mm

Compact combi LPG boilers	Unit of measure	Compact	Compact
Boiler type		Combi	Combi
Model output	kW	24 (LPG)	28 (LPG)
Article number (horizontal flue & filter)		0010043990	0010043991
Article number (vertical flue & filter)		0010043994	0010043995
Gas Council number		47-019-65	47-019-66
Lift weight	kg	25,6	26,5
Performance			
NOx (En 15502-2-1)	mg/kWh	27	32
ErP efficiency	%	91	92
ErP decibel rating (sound power)	dBa	52	54
ErP efficiency (heating/DHW)	A+++ to D / A+ to F	A/A	A/A
Heating and hot water			
Hot water flow rate	L/min	9.9	11.5

A decade of positive Energy guaranteed

Our Power System Filter has been designed to give you even more confidence in the reliability of our products. Its compact yet robust build helps prolong the life of our boilers and deliver the long-term performance homeowners desire. Servicing is a cinch, and replacement O-rings are available as a spare part.

We're backing up this reliability pledge with a 10-year guarantee on Energy boilers and Power System Filters when they're installed together and both registered through Club Energy.

Designed by Glow-worm for use with Glow-worm boilers



FREE 10-year guarantee*



Manufactured in our award-winning factory in Derbyshire

*10-year guarantee only applies when filter is fitted on an Energy boiler and registered on Club Energy

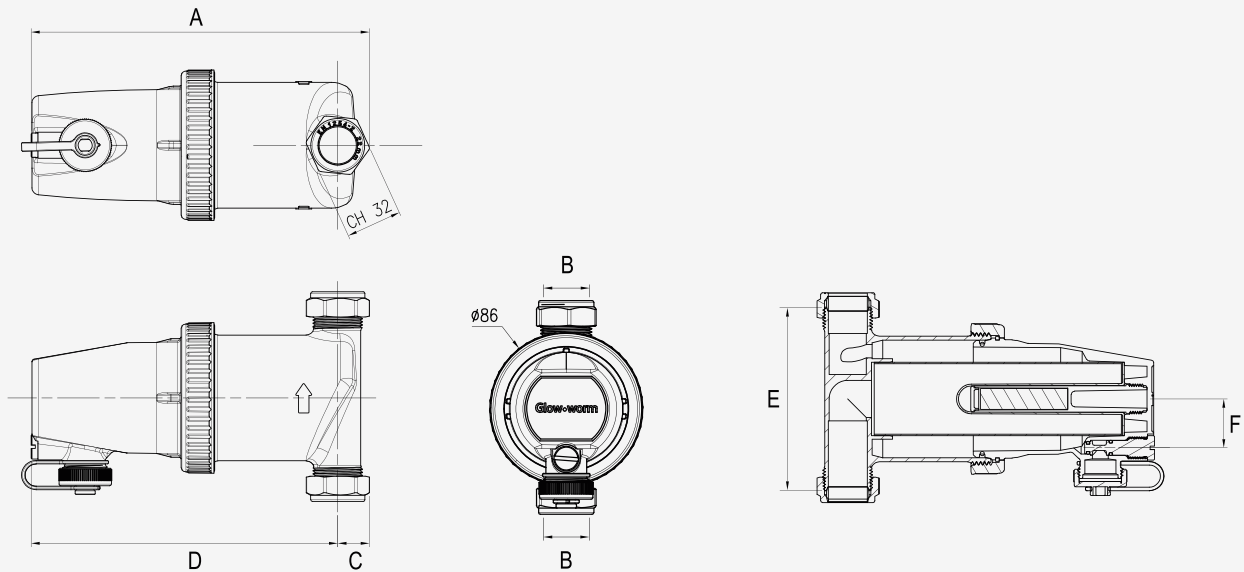
What's in the box?

The Glow-worm Power System Filter comes with an installation and operational manual, and an isolation valve.

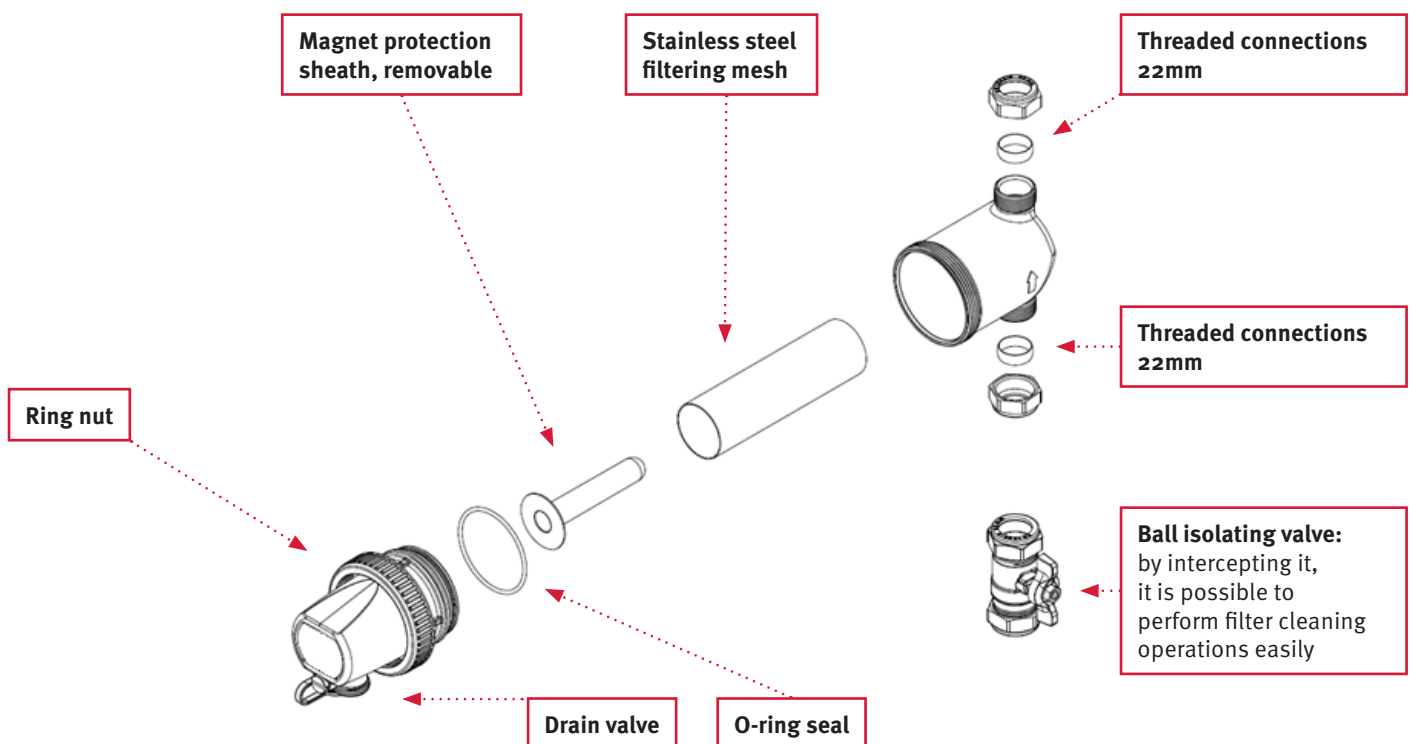
Features and benefits

- Horizontal siting provides a more discreet, space-saving fit
- Compact design allows more flexible, less intrusive siting options
- High-quality brass body guarantees long-lasting performance
- Composite front section removes unnecessary weight
- Easy disassembly makes servicing faster
- Hard-wearing stainless steel mesh collects non-magnetic debris and blocks sludge from entering the boiler
- Suitable for boilers located in any area
- Perfect for boilers installed in cold areas where glycol has been added to protect from freezing
- Can connect to a standard hose, so the drain point can also be used for dosing. The unique sealing ring and swivel head allows it to rotate without leaking for easier serviceability
- Ideal for modern systems as well as older, high-temperature systems

Power System Filter technical specification



Technical data	Unit	Power System Filter
22mm fitting only		
A	mm	194
B	mm	22
C	mm	18
D	mm	176
E	mm	105
F	mm	28



Intelligent controls: putting comfort in homeowners' hands

Glow-worm's wide range of controls has something to suit every customer, from simple room thermostats to wireless, app-controlled options. You'll enjoy the easy fitting while homeowners will love the convenience and comfort they offer. When added to a combi boiler, our intelligent controls also help you comply with Boiler Plus legislation. What's more, our controls get the same guarantee as any Glow-worm boiler when fitted together, as long as they are registered on Club Energy (see page 27 for more details).

MiGo

Key features:

- Smart thermostat and app combination
- Easy-to-use app allows homeowners to control their heating from anywhere
- Fast, simple installation lets you get in and out without shaking it about
- Internet weather compensation optimises system flow temperatures and efficiency
- Unique eBUS communication works with the entire Glow-worm boiler range
- Intelligent self-learning analyses the thermal behaviour of the building so homeowners always get the temperature they ask for



MiSet

Key features:

- Wall-mounted programmable room thermostat
- Responsive touch interface makes it easy to manage heating
- Time program assistant helps homeowners set heating programmes in minutes
- User-friendly operation for hassle-free heating adjustments
- Enhanced load compensation adjusts output to ensure efficient energy usage
- Available as a wired or wireless model

Climapro₂ RF

Key features:

- Two-channel wireless programmable room thermostat
- Handheld remote gives homeowners complete control of their heating and hot water from the comfort of their armchair
- Weather compensation (with additional sensor) automatically keeps homeowners cosy when it gets colder
- Straightforward menus allow homeowners to easily set their heating to suit their lifestyle and timetable
- eBUS connection lets the boiler modulate to deliver optimum efficiency



Climapro₁

Key features:

- Programmable thermostat available in wired and wireless models
- eBUS connection enables modulation to provide peak boiler performance and efficiency
- Weather compensation (with additional sensor) automatically keeps homeowners cosy when it gets colder
- User-friendly operation for hassle-free heating adjustments

Climastat

Key features:

- Wall-mounted room thermostat
- Enhanced load compensation ensures energy-efficient boiler use via eBUS connection
- Combines with mechanical timers to provide low-cost Boiler Plus compliance
- Service, fault and maintenance indication for convenience
- Clear digital display and wide temperature range (5-30°C) makes life easy for homeowners



Boiler Plus

Boiler Plus legislation is designed to ensure that heating systems in all UK households are as energy efficient as possible. It requires new gas boiler installations to meet a minimum Energy Related Products (ErP) rating of 92%. You can do this by ensuring the correct time and temperature controls are fitted to heating systems at the time of installation. You can also retrofit them to existing systems. It's easy to comply with Boiler Plus by fitting a Glow-worm control with at least one of these features:

- **Load compensation:** the ability to use the current room temperature to modulate the flow temperature (this needs the control and boiler to communicate intelligently).
- **Weather compensation:** uses weather forecast data or outdoor sensors to understand the outside temperature and adjust the flow temperature of the boiler accordingly.
- **Smart control:** an internet-connected control that provides automated heating, hot water and optimised boiler efficiency.

Glow-worm offers you a wide range of dependable, intelligent and easy to install control solutions to help you meet Boiler Plus requirements.

Range lineup



	Climastat	Climapro ₁	Climapro ₂ RF	MiGo	MiSet
Article Numbers	0020035402	0020118077 (wired) 0020118078 (wireless)	0020085221	0020223275 (combi) 0020223276 – (OV/System)	0020260999 (wired) 0020261004 (wireless)
Room thermostat	✓				
Programmable thermostat		✓	✓		✓
Internet connected				✓	
eBus communication	✓	✓	✓	✓	✓
Load compensation	✓	✓	✓	✓	✓
24-hour timer		✓	✓	✓	✓
7-day programming		✓	✓	✓	✓
Heating	✓	✓	✓	✓	✓
Hot water		✓	✓	✓	✓
Holiday mode		✓	✓	✓	✓
Wired or wireless	Wired	Wired or wireless	Wireless	Wireless	Wired or wireless
Weather compensation		✓*	✓*	✓	✓*
Remote app control				✓	
ErP efficiency class	V	V	V	VI	V
ErP efficiency benefit	+3%	+3%	+3%	+4%	+3%
Zoning	1	2**	1	1	2**

* Weather compensating with additional outdoor sensor

** Two zones achievable with wired models only

The right part for every job



Part number	Description
0010031041	Horizontal flue kit DN 60/100
0010031043	Horizontal telescopic flue kit DN 60/100
0010031044	Horizontal flue kit 1.7m DN 60/100
0020219526	Rear telescopic flue kit DN 60/100*
0020219538	Flue terminal kit, black
0020257015	Vertical flue adaptor DN 60/100
0020230604	Vertical flue terminal, black
0020199443	Flat roof flashing
0020258676	Pitched roof flashing
0020257007	Extension 0.5m DN 60/100 PP
0020257008	Extension 1.0m DN 60/100 PP
0020257445	Extension 2.0m DN 60/100 PP
0020267682	Extension 4.0m DN 60/100 PP
0020257009	Elbow 87 deg DN 60/100 PPv
0020257010	Elbow 45 deg DN 60/100 PP (2 pieces)
0020267923	Flue support clips 200mm DN 100 (5 pieces)
2000460487	Sliding sleeve DN 60/100
0020267683	Extension 0.5 to 0.8m telescopic 60/100 PP
0020267924	Flue support clips 100mm (pack of 5)
0020219531	Plume management kit black
0020219532	Plume management kit, white
0020219535	Plume deflector kit, black
0020219536	Plume deflector kit, white
0020219541	PMK extension 1m, black
0020219542	PMK extension 1m, white
0020219545	PMK elbow 87 deg, black
0020219550	PMK elbow 87 deg, white
0020257019	Extension 0.5m DN 80/125 PP
0020257020	Extension 1.0m DN 80/125 PP
0020257018	Horizontal air/flue DN 80/125 PP
0020257016	Roof terminal black DN 80/125 PP
0020104553	Extension 0.5m DN 80/125
0020104554	Extension 1.0m DN 80/125

Part number	Description
0020257021	Extension 2.0m DN 80/125 PP
0020257023	Elbow 87 deg DN 80/125 PP
0020257024	Elbow 45 deg DN 80/125 PP (2 pieces)
0020257022	Sliding Sleeve DN 80/125 PP
0020104559	Flue support clips (5 off) DN 80/125
0020276091	Vertical flue adaptor DN 80/125
0020193663	Upward piping kit
A2044800	Condensate pump
0020193659	Pipe cover plate, small
0020193660	Energy spacing frame, small
0020082851	Energy spacing frame, large*
0010035820	Glow-worm Power System Filer
0010037590	Seal Kit
Controls accessories	
0020135101	Smart wiring centre2
0020266792	Wired outdoor sensor with 15m cable
0020266793	Wired outdoor sensor
Compact only accessories	
0010031994	Analogue timer
0010034118	Central heating return pipe
0010036733	Spacing frame

* Combi and system only

Bathroom zoning

Classification of zones

As all Glow-Worm Energy and Compact boilers are IPX4D rated, they can be installed in zone two of a bathroom. Boilers should not be installed in zone zero or zone one.

Zone 0:

The interior of the bath or shower tray.

Zone 1:

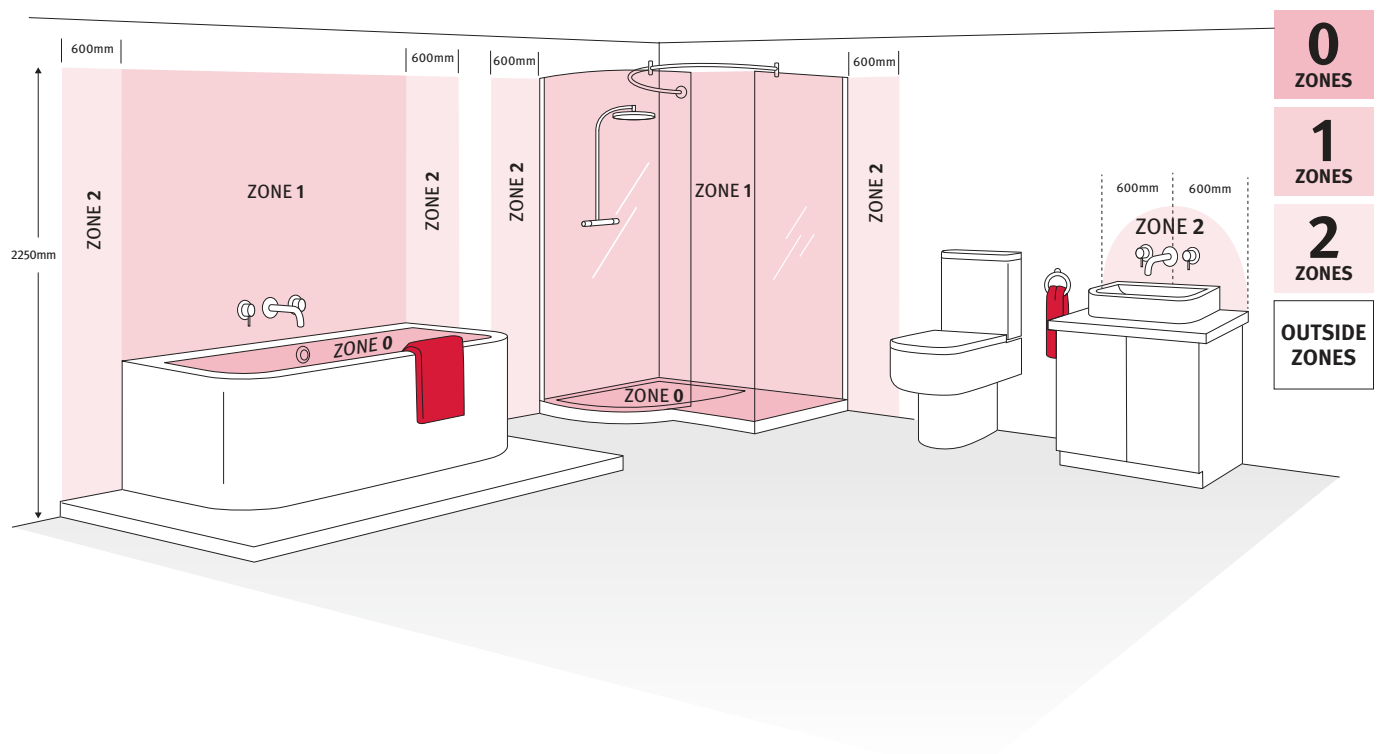
The exterior of the bath or shower tray to a height of 2.25 metres above the finished floor level.

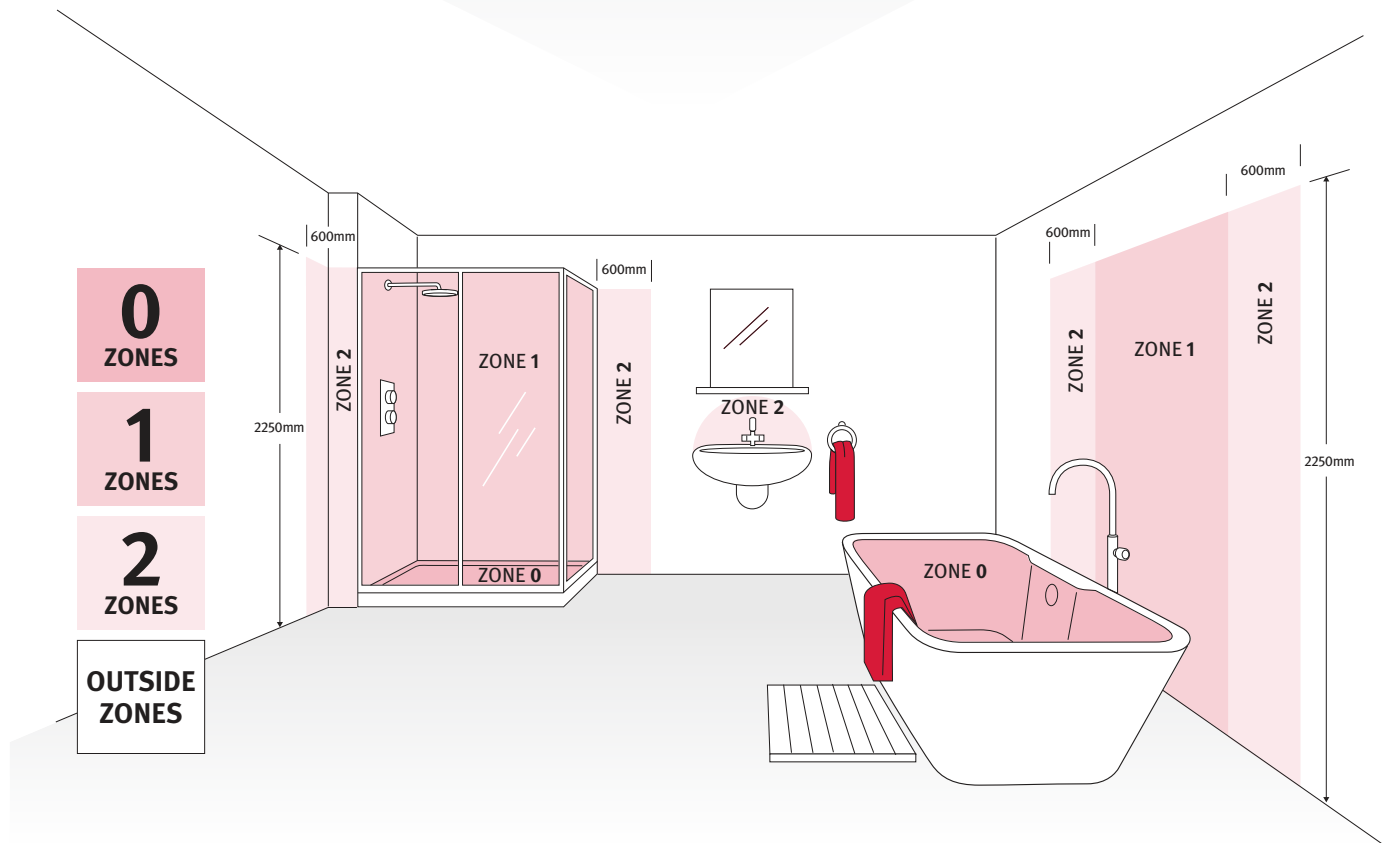
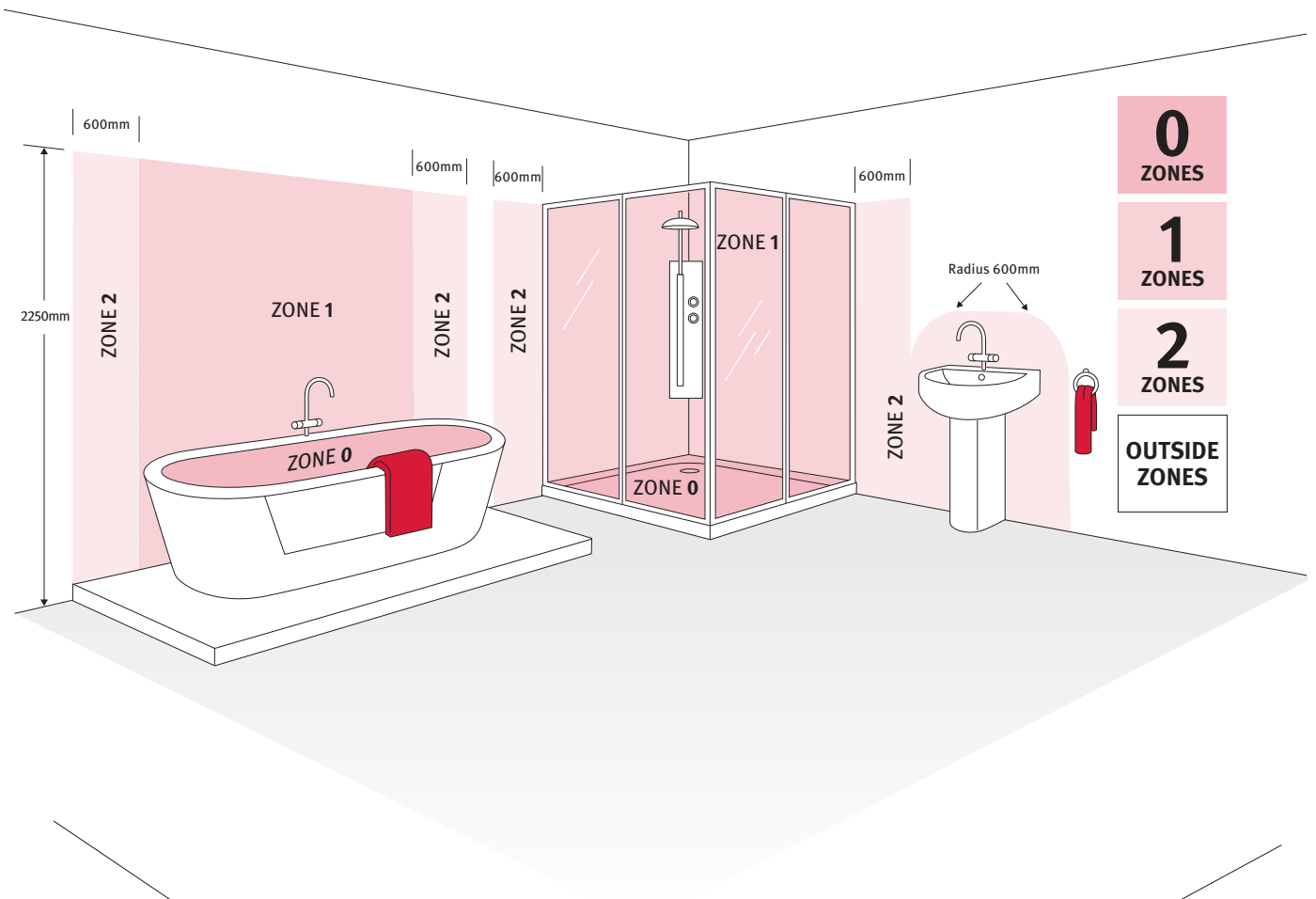
Zone 2:

Extends to 0.60 metres beyond zone one to a height of 2.25 metres above the finished floor level.

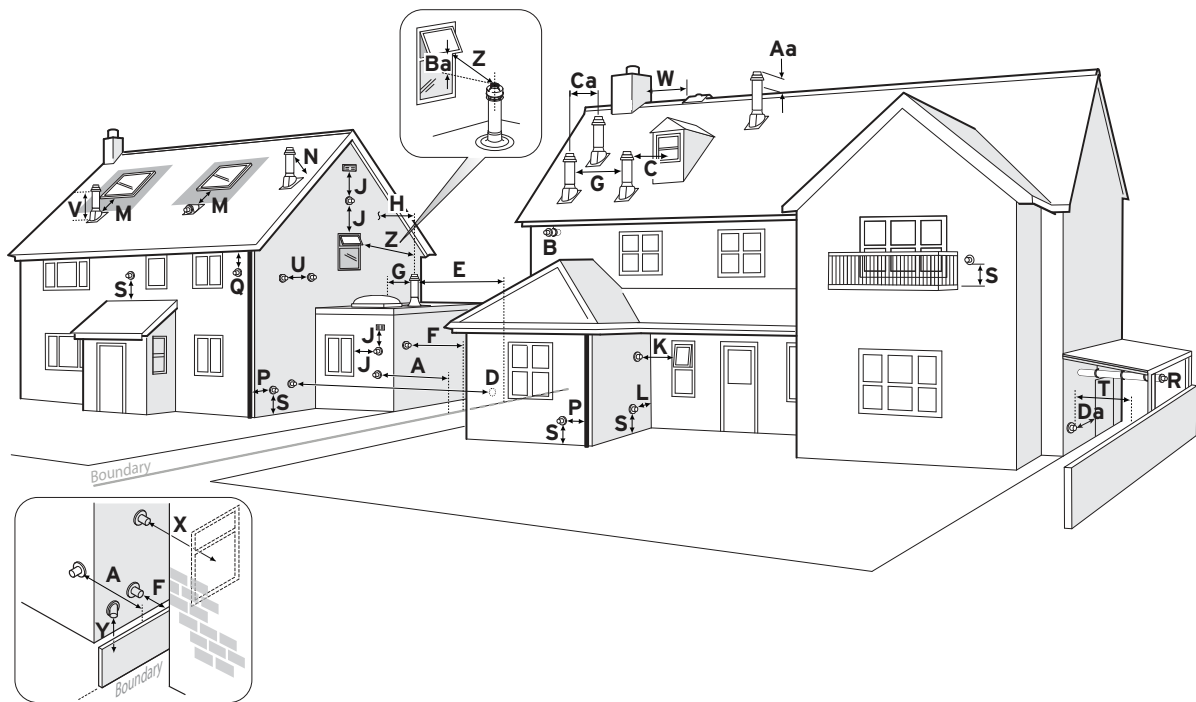
Zone 3 (Outside zones):

Refers to any position outside of zones one and two.





Terminal clearances



A	300	300mm adjacent to a boundary.
B	25 ⁽¹⁾	The dimension below eaves, balconies and car ports can be reduced to 25mm, as long as the flue terminal is extended to clear any overhang. External flue joints must be sealed with a suitable silicon sealant.
C	1500	1500mm between a vertical flue terminal and a window or dormer window on a roof.
D	1200	1200mm between terminals facing each other.
E	300	Vertical flue clearance, 300mm adjacent to a boundary line.
F ⁽²⁾	600	600mm distance to a boundary line, unless it will cause a nuisance. BS 5440: Part 1 recommends that care is taken when siting terminal in relation to boundary lines.
G	300	300mm minimum clearance from a skylight to a vertical flue or to another adjacent vertical flue.
H	500 1500	Vertical flue clearance, 500mm to non-combustible building material, and 1500mm clearance to combustible building material.
J	300	300mm above, below and either side of an opening door, air vent or opening window.
K	600	600mm diagonally to an opening door, air vent or opening window.
L ⁽²⁾	200	200mm to an internal or external corner.*
M	2000	2000mm below a Velux window, 600mm above or to either side of the Velux window.
N	400	400mm from a pitched roof or 500mm in regions with heavy snowfall.
P	25	25mm from vertical drain pipes and soil pipes.
Q ⁽¹⁾	200	200mm below eaves and 75mm below gutters, pipe and drains. (see also 'R')

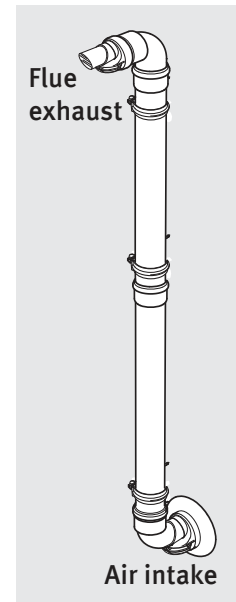
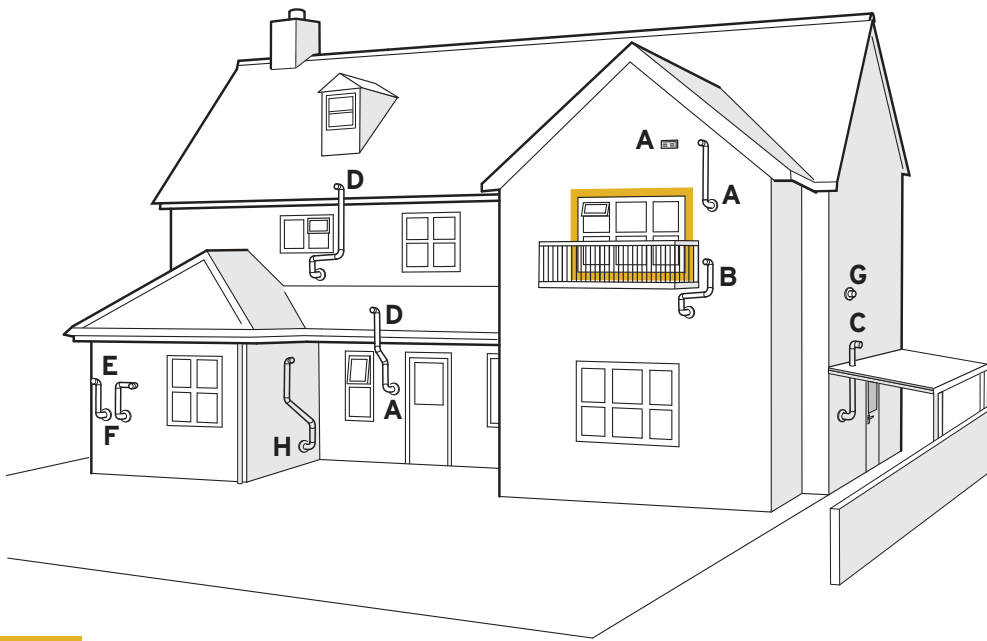
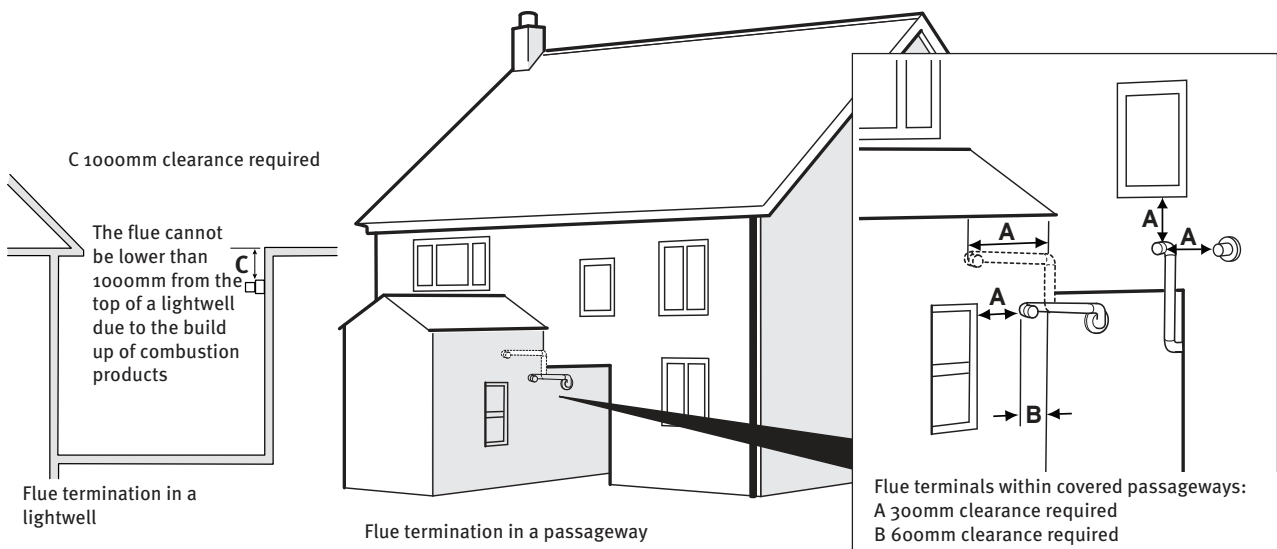
R	25	The dimension below eaves, balconies and car ports can be reduced to 25mm, as long as the flue terminal is extended to clear any overhang. External flue joints must be sealed with suitable silicon sealant.
S	300	300mm above adjacent ground or balcony.
T ⁽²⁾	600	600mm distance to a surface facing a terminal, unless it will cause a nuisance. BS 5440: Part 1 recommends that care is taken when siting terminals in relation to surfaces facing a terminal.
U	300	300mm clearance alongside another terminal.
V	300	300mm above roof level.
W	300	300mm min to vertical structure on roof, roof vent
X	2000	2000mm min. to opening in adjacent building
Y	600	600mm min. at an angle to a boundary which is not less than 300mm to the terminal
Z	600	600mm min. measured to the nearest corner of the OPEN window
Aa	300	No more than 300mm above ridge
Ba	300	Not less than 300mm below the opening window
Ca	600	600mm between vertical flues
Da	1200	From an opening (e.g. door window etc.) in eaves, balconies, car ports and overhangs

* This distance can be reduced to 25mm by using a plume kit or diverter and being angled at 45° to avoid staining.

Note: Terminal must NOT terminate under roof or car port. Car port must have at least two open sides.

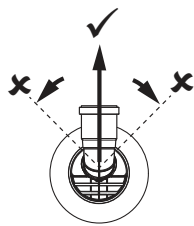
(1) There should be no ventilation/opening in the eaves within 300mm distance of the terminal.

- (2) These dimensions comply with the building regulations, but they may need to be increased to avoid wall staining and nuisance from pluming depending on site conditions.
- All measurements are the minimum clearances required.
 - Terminals must be positioned so to avoid combustion products entering the building.
 - Support the flue at approximately one metre intervals and at a change of direction, use suitable brackets and fixings.
 - Installations in car ports are not recommended.
 - The flue cannot be lower than 1 metre from the top of a lightwell due to the build up of combustion products.
 - Dimensions from a flue terminal to a fanned air inlet to be determined by the ventilation equipment manufacturer.
 - The terminal clearances are only applicable where the appliance has been installed, commissioned and maintained inline with the manufacturer's instructions

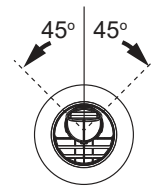


Flue and air duct positions on VTK

Note: It is not possible to rotate the terminal end of the Variable Termination Kit.



However, for diversion of flue gases a Deflector Kit is available

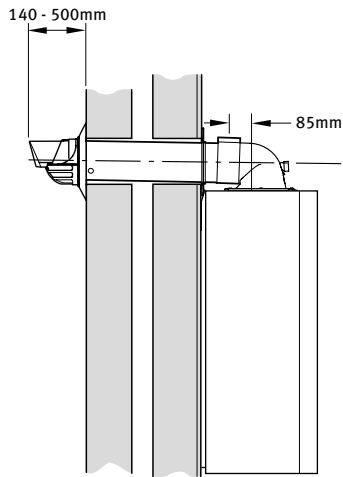


Key	Air inlet	Air intake (mm)	Flue exhaust (mm)
A	Horizontal to an opening, air brick	150	300
B	Above adjacent ground or balcony	300	300
C	Above adjacent roof or car port	-	300
D	Above a roof line	-	300
E	Below a car port or roof	200	-
F	Adjacent to another flue outlet or boundary	150	300
G	VTK directly below another flue	300	300
H	From an internal corner	25	N/A*

Note: Terminal must NOT terminate under roof or car port. Car port must have at least two open sides.
* plume terminal should face 45° away from internal corner to avoid staining.

Flueing options

Horizontal top side flue (standard)



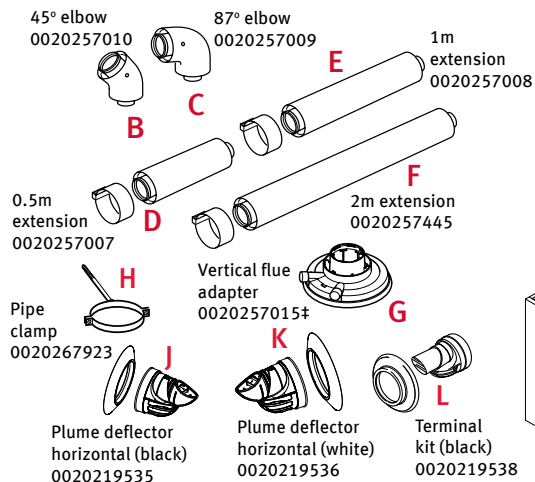
Energy7 shown

Model	Max lengths using extensions	A Horizontal standard flue 0010031041*
Energy7	10m	
Compact	9m	

* white terminal as standard, for black terminal use 0020219538 (See item L below)

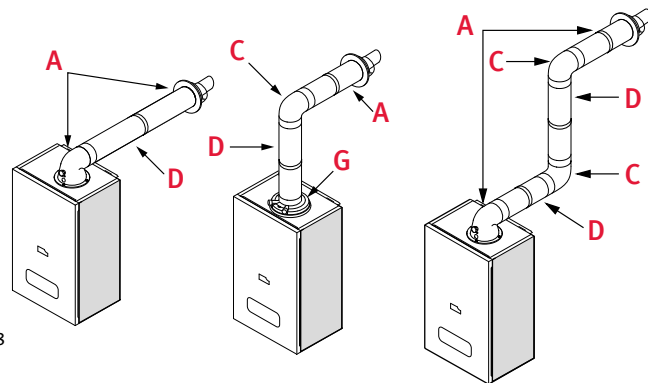
For each additional 87° or 2 x 45° bends fitted, the maximum flue length must be reduced by 1m. The pipe length is reduced by 500mm for each 45° elbow and 1m for each 87° elbow used.

The vertical flue adaptor G is required for vertical flue connections to the boiler.



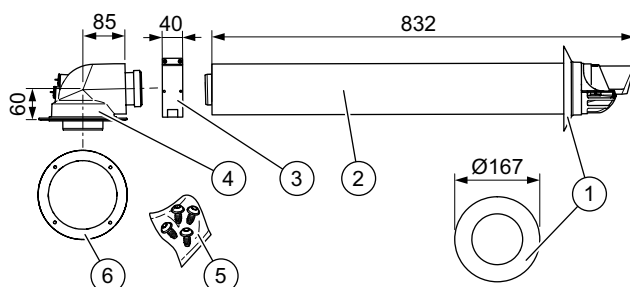
#0010031029 for Compact and MicraCom

Horizontal Accessories



Flueing examples using extensions and bends

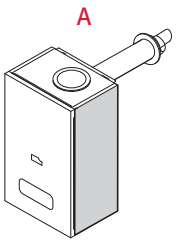
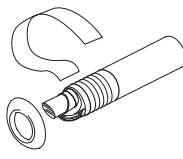
Pipe clamp (H) to be installed every 1 metre and change in direction



Scope of delivery

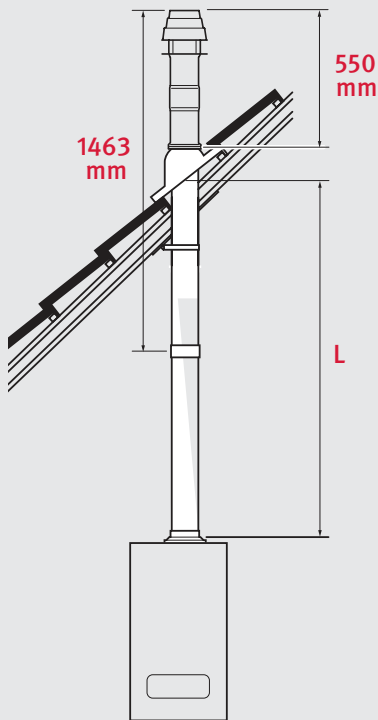
1. Wall collar, 100mm diameter
2. Horizontal wall/roof duct
3. 40mm clamp
4. 87° elbow
5. Screws (x8)
6. Seal

Rear flue option

	Model	Max extensions	Min	Max	A Direct rear flue 0020219526
	Energy ₇	No extensions	480mm	710mm	

Black terminal only

Vertical flue options



L = Flue length, measured from the top of the boiler to the underside of the roof flashing.

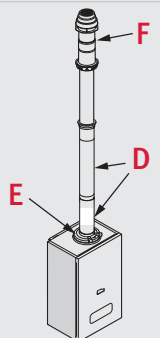
Maximum flue length is 10m plus external vertical roof terminal.

The maximum flue length must not be exceeded (refer to L in table below).

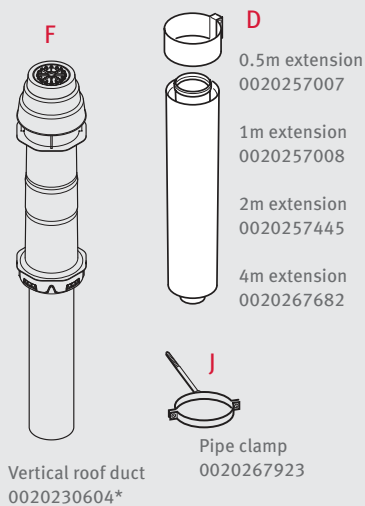
For each additional 90° or 2 x 45° bends fitted, the maximum flue length must be reduced by 1m. The pipe length is reduced by 500mm for each 45° elbow and 1m for each 87° elbow used.

Vertical flue options use the same 100mm diameter flue components as the horizontal flue options.

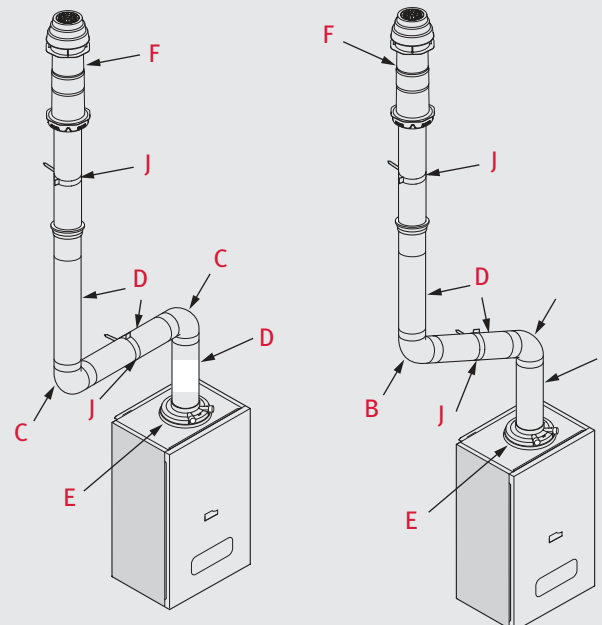
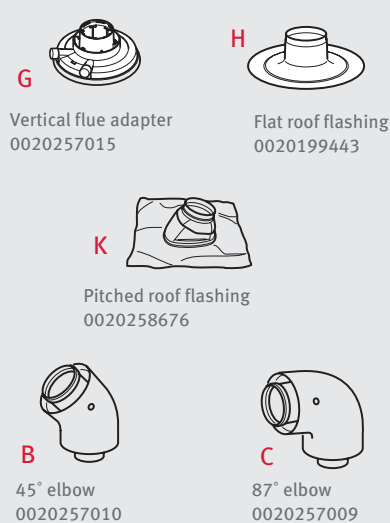
The vertical flue adaptor G is required for vertical installations.

	Model	L Max with extensions	Description of parts	Part number
	Energy ₇ and Compact	10m	0.5m extension	0020257007
			1m extension	0020257008
			2m extension	0020257445
			Vertical flue adaptor	0020257015
Vertical flue terminal, black			0020230604	

Vertical accessories

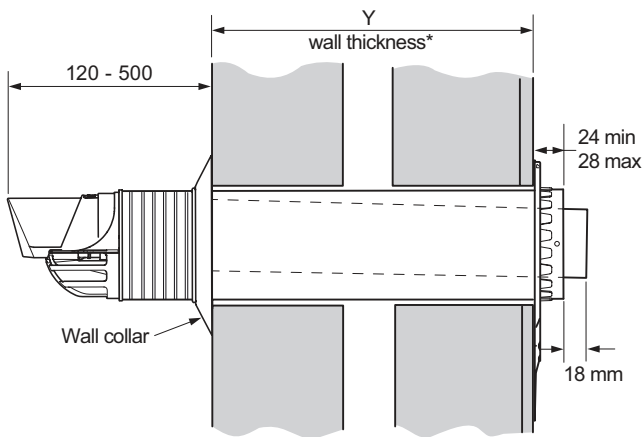


Flueing examples using extensions and bends



*Vertical flue adaptor not included

Direct rear flue telescopic



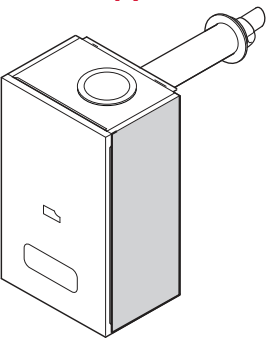
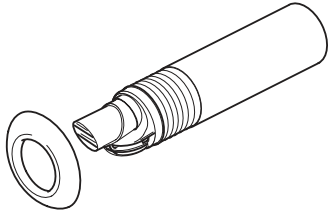
Determine the pipe length (.....) Installation instructions for the boiler) and define the location of the wall duct.

Measure the wall thickness (Y).

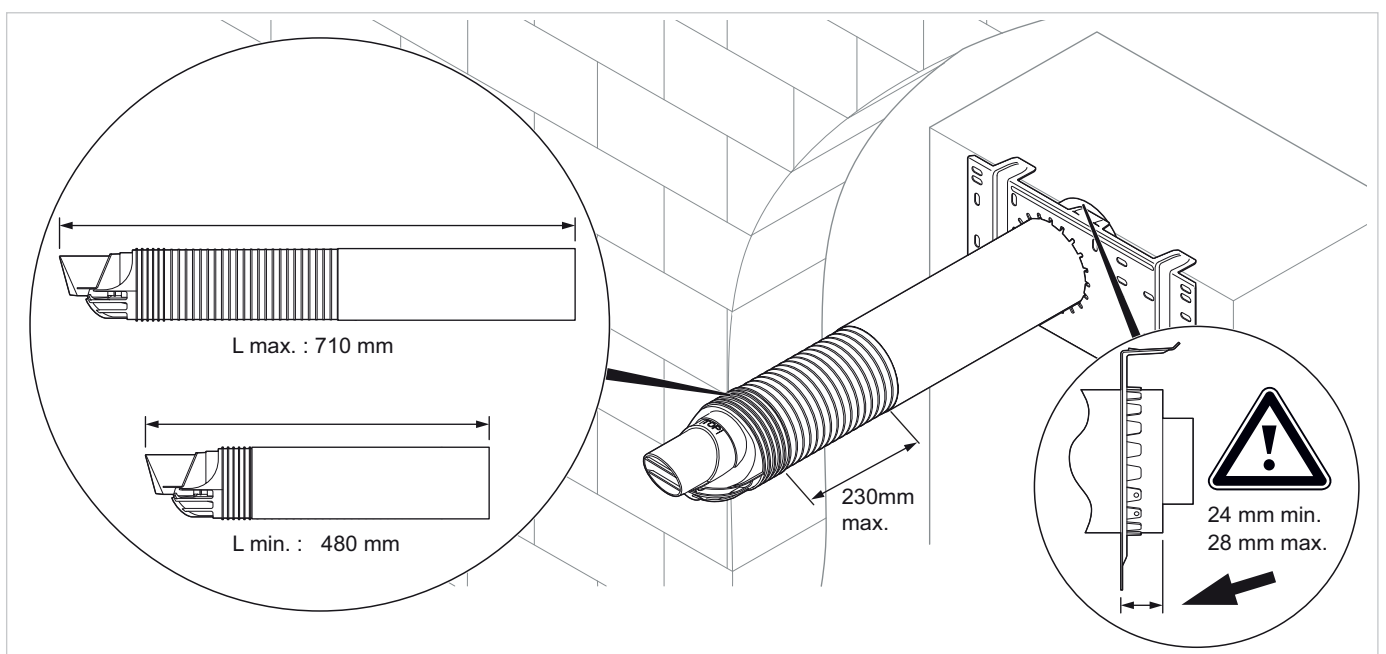
Set the required pipe length: 12 mm for the wall collar + 24 to 28 mm flue engagement depth.

– If the opening is below a roof projection or a horizontal surface, you can pull the wall duct up to 500 mm out of the wall in order to guarantee that the flue gases are extracted without any obstruction.

*For single skin wall, i.e. garage wall, a standard flue kit 0010031041 can be cut to suit a minimum wall thickness of 75mm

	Model	Max extensions	Min	Max	A Direct rear flue 0020219526*
Energy₇ only		No extensions	480mm	710mm	

* black terminal only



Flueing examples using extensions and bends
Pipe clamp to be installed every 1 metre and change in direction

Training that will boost your energy

Easy does it

Here at Glow-worm, we provide a blended learning journey with online and class-based training at our Centres of Excellence. So, not only can we help you stay on top of our product information, we'll keep you up to date with industry changes too.



Boiler courses

Our boiler courses include overviews and commissioning and installation training on Glow-worm boilers, including the Energy range.

Industry courses

We offer modules on a wide range of useful industry information, including water quality, electrical safe isolation, and decarbonising heat in buildings.

Controls courses

Here you can access information and training on our new range of intelligent controls, as well as a guide to weather and load compensation.

Renewable technology courses

These modules provide an introduction to low carbon technologies and their role in decarbonising heat.*

To book, visit the Training section of our website or scan the QR code above.

*This course is provided by The Vaillant Group and does not feature any Glow-worm products



Our locations

For more information on our courses or to visit one of our UK Centres of Excellence: Phone: 0345 601 8885 or email: training@glow-worm.co.uk

Belper
Nottingham Road
Belper
Derbyshire
DE56 1JT

Bristol
Unit 1390
Aztec West
Almondsbury
Bristol
BS32 4RX

Elland
Unit D1
Lowfields Business
Park Elland
West Yorkshire
HX5 9DG

Farnborough
Ground Floor (West)
Templer
25 Templer Avenue
Farnborough
Business Park
Farnborough
Hampshire
GU14 6FE

Glasgow
Maxim 1
2 Parklands Way
Eurocentral
Glasgow
Lanarkshire
ML1 4WR

Maidstone
6 Alexander Grove
Kings Hill
West Malling
Maidstone
Kent
ME19 4XR

North East
Unit 7H
Southwick
Industrial Estate
Hylton Road
Sunderland
SR5 3TX

Imagine having 400 mates on every job

We want all our installers to make the most of all of our products and ensure their customers are happy. So, we're always on hand with the support you need. With a 400-strong UK team comprising engineers, call centre staff and technical support, we can solve queries quicker than the contestants on University Challenge.

Technical help

If you have a technical question, get a straightforward solution by contacting our technical helpline on 01773 828 300, emailing technical@glow-worm.co.uk or visiting our website.

Genuine high-quality spares

- Spares available for up to 15 years after production ends
- Nationwide spares stockists with over 500 locations
- Next-day delivery service for emergency orders – contact spares on 0345 602 0262 or spares@glow-worm.co.uk

Nationwide after-sales service

- Providing technical help and after-sales service online, over the phone and on the road
- 250 engineers based around the UK, carrying over 1,500 different spare parts
- 97% first time fix rate

For our service department please use the contact details below.

0330 100 7678
customerservice@glow-worm.co.uk

Literature for your customers

There are a number of easy ways for you to access Glow-worm product and homeowner literature:

- Call 01773 596 105
- Download online at glow-worm.co.uk or from Club Energy

Thousands of spares in your pocket

Spare parts are like films: the originals are always the best. Original Glow-worm spare parts comply fully with industry standards and safety tests because they're tested in conjunction with the boilers they're manufactured for. You can have confidence they'll work every time and with availability for up to 15 years after product manufacture ends, you'll always find what you need.

Our spareCHECK app puts information about our original parts in the palm of your hands, offering:

- Online and offline
- Exploded device views
- Over 4,000 pictures
- Product weights
- Serial number scanning
- Part "where used"



Search 'spareCHECK' on the app stores or scan the QR code:



Support to keep you glowing

At any moment, something can happen to put you and your business in a tough situation. To help ensure you can always offer your customers the best service possible and keep Britain glowing, Glow-worm is dedicated to making sure you have all the support you need from financial security to wellbeing at all times.

SUPPORT YOUR EARNINGS

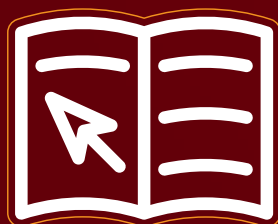
As the business landscape changes, we're constantly adapting to give you new tools that help you and your business. We maintain strong partnerships with other industry-leading companies and offer Club Energy members business clinics on YouTube with advice from a wide variety of experts.



Support your earnings

SUPPORT YOUR LEARNING

To ensure you keep moving in the right direction, we have developed a series of online training courses you can access from the comfort of your living room. These interactive courses range from product overviews and introductions to low carbon technologies and best practice techniques.



Support your learning

SUPPORT YOUR WELLBEING

Our commitment to you goes far beyond simply providing the best products and services for you and your customers. To us, your wellbeing and the wellbeing of others is our main priority. That's why we're giving you support and advice on how to look after yourself mentally, and spot the signs of when others also need a helping hand.



Support your wellbeing

For more information about the support we offer through the tools and services above, visit www.glow-worm.co.uk/trade

Club Energy: All of our energy goes into working for you

Our loyalty scheme is full of positive energy. It's packed with benefits, solutions, people and services, all working relentlessly to help you get the job done, all while saving time, hassle, and money. Day-in, day-out, the Club Energy team gives every last drop of energy to keep you going and Britain glowing.

Rewards every time, every job

Extended guarantees:

Exclusive access to extended guarantees, enabling you to offer cover for up to 10 years.

Cashback and credits:

Withdraw rewards as cash or vouchers, or opt for catalogue credits for workwear, tools, and much more.

Mystery Trip

Earn a spot on a once-in-a-lifetime experience to a mystery destination. With tailored points targets, it really is anyone's game.

Offers and promotions:

Including Black Friday Sales, Spring Boost, Winter Warmer promotions and many more.

Support that's on another level

Online training:

Fully live and interactive – using genuine demo products to give you a truly authentic experience from the comfort of your own home.

Dedicated support team:

If you have a problem with registering your boiler, need help on a guarantee or simply want advice, just drop them a line.

Homeowner leads:

If you register at least one boiler per month, you'll

feature on the 'Find an Installer' tool on our homeowner website.

homeSAFE:

The homeSAFE training programme is designed to give you the knowledge and support that ensures your working environment is kept to the highest health and safety conditions

Resource library:

Access the Club Energy resource library online and find a wide range of images and assets to help brand your business.

An exclusive app bursting with benefits

Free Gas Safe registration:

When registering your guarantee through Club Energy, we automatically send a notification to Gas Safe and we pay for it as well.

Serial number scanning:

This handy tool makes registering your customer's guarantee simple.

Digital Benchmark:

Submit a Benchmark and save it as a PDF, so every time you visit a job you're guaranteed to have all the information from your last visit.

Fault codes:

Find information on every different issue that a Glow-worm boiler may have, helping you deal with the problem swiftly.

Sound like a club you'd love to join? Sign-up today at glow-worm.co.uk/clubenergy

Glow•worm

Mystery Trip 2022

MYSTERY TRIP

2022

It's anyone's game

Fancy winning two places on the trip of a lifetime, just for fitting boilers? Get in the game with the Mystery Trip. The destination is a secret for now, but it's sure to be an adventure packed with amazing experiences, top-notch food and drink, and brilliant memories.

It's all to play for

The best thing about Mystery Trip is that it's a completely level playing field. You get a points target tailored to your business, so you're competing with people just like you. Every time you fit and register a Glow-worm product, you'll earn points towards your target. You can follow your progress and see where you stand in our handy Club Energy app too.

Start your journey now

To find out more, and to register for your chance to win, head to glow-worm.co.uk/mysterytrip now. If you're not already a member of Club Energy, you'll need to sign up for that too at glow-wormclubenergy.co.uk.



Head office

01773 824639

info@glow-worm.co.uk

Literature

01773 596105

literature@glow-worm.co.uk

Service department

0330 100 7678

customerservice@glow-worm.co.uk

Installer technical support

01773 828300

technical@glow-worm.co.uk

Training

0345 601 8885

training@glow-worm.co.uk

Spare parts

0345 602 0262

spares@glow-worm.co.uk

Club Energy

0330 678 1414

clubenergy-support@glow-worm.co.uk

Glow-worm

Nottingham Road

Belper

Derbyshire

DE56 1JT

 @glow_wormclub @GlowWormHeating @glowworm_uk GlowWormGroup

glow-worm.co.uk

GWBROB2BRNGE021